



## WATER TUBE Kneipp wall elbow with hose bracket with individual flanges FlowReduce - Brushed Light Gold

27 841 979 Product version from 6/1/2024



- LAMINAR FLOW, max. flow rate gpm (at 3 bar)
- with volume control
- Flange 2-3/8" x 2-3/8"
- Bracket for Kneipp hose
- 1/2" wall elbow
- Hose to be ordered separately
- This product can help a building meet the requirements of Green Building Rating Systems, e.g. LEED®, BREEAM®, DGNB

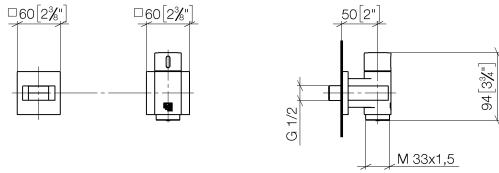
Internal backflow preventer.

	Brushed Light Gold	27 841 979-27
	Chrome	27 841 979-00
	Brushed Platinum	27 841 979-06
	Platinum	27 841 979-08
	Dark Chrome	27 841 979-19
	Brushed Durabronze (23kt Gold)	27 841 979-28
	Matte Black	27 841 979-33
	Brushed Champagne (22kt Gold)	27 841 979-46
	Champagne (22kt Gold)	27 841 979-47
	Brushed Chrome	27 841 979-93
	Brushed Dark Platinum	27 841 979-99

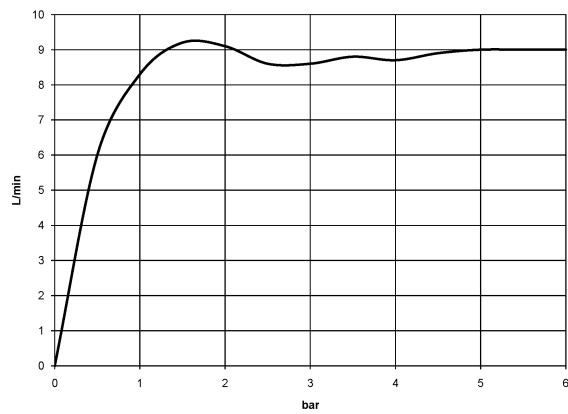


# WATER TUBE Kneipp wall elbow with hose bracket with individual flanges FlowReduce - Brushed Light Gold

27 841 979 Product version from 6/1/2024  
mm [inches]



## Flow rate chart



## Codes & Standards

EN 1717



WATER TUBE Kneipp wall elbow with hose bracket with individual flanges  
FlowReduce - Brushed Light Gold

---

27 841 979 Product version from 6/1/2024

Certificates

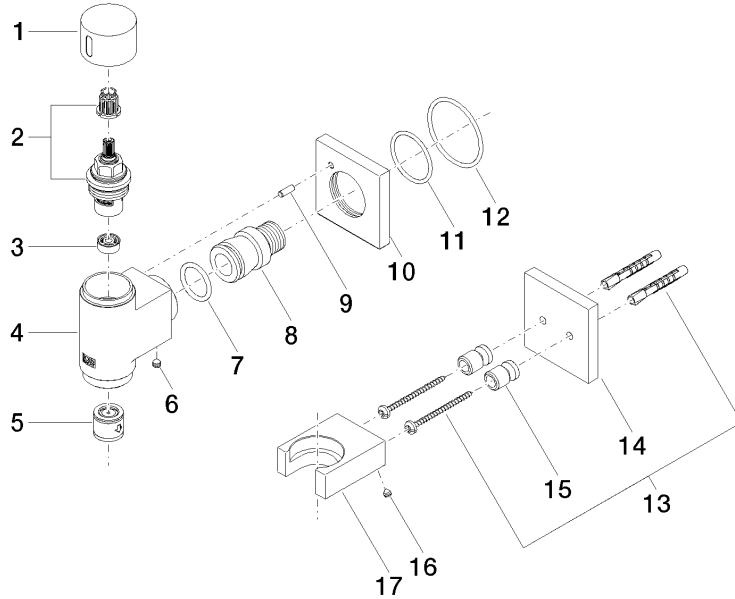
---

Belgaqua\_24-007-2

**WATER TUBE Kneipp wall elbow with hose bracket with individual flanges**  
**FlowReduce - Brushed Light Gold**

27 841 979 Product version from 6/1/2024

Parts for other finishes can be found here: [Chrome](#)



**Spare parts list**

Number	Item Number	Designation	Number of units	Lead time
1	09 20 97 021-27	handle	1	60
2	90 90 03 145 00 90	top	1	2
3	90 23 01 145 00 90	flow reducer	1	2
4	09 11 03 135-27	connection	1	60
5	90 23 01 045 00 90	back-flow preventer	1	2
6	90 31 11 112 00 90	pin	1	2
7	09 14 10 081 90	seal	1	2
8	09 24 03 151 90	nipple	1	2
9	09 31 11 040 90	pin	1	2
10	09 27 97 021-27	rosette	1	60
11	09 14 10 119 90	seal	1	2
12	90 14 10 049 00 90	seal	1	2
13	05 30 31 025 00 90	fixing set	1	2
14	09 27 97 022-27	rosette	1	60
15	08 17 20 726 90	holder	1	2
16	09 31 11 148 90	pin	2	2
17	09 17 20 023-27	holder	1	60