

Affusion pipe with cover plate FlowReduce - Brushed Dark Platinum

27 858 979 Product version from 4/1/2024



- Laminar stream
- 3/8" Shower outlet
- Cover plate 9-1/2" x 2-3/8"
- Metal shower hose 49-1/4" with anti-twist device
- 1/2" connection
- Plug-in connection mounting
- Water flow rate limited to max. 1.8 gpm
- This product can help a building meet the requirements of Green Building Rating Systems, e.g. LEED®, BREEAM®, DGNB

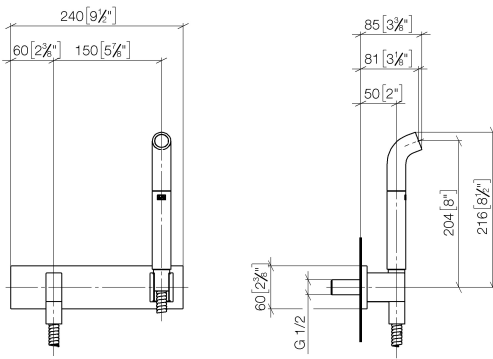
Internal backflow preventer.

	Brushed Dark Platinum	27 858 979-99
	Chrome	27 858 979-00
	Brushed Platinum	27 858 979-06
	Platinum	27 858 979-08
	Dark Chrome	27 858 979-19
	Brushed Light Gold	27 858 979-27
	Brushed Durabronze (23kt Gold)	27 858 979-28
	Matte Black	27 858 979-33
	Brushed Champagne (22kt Gold)	27 858 979-46
	Champagne (22kt Gold)	27 858 979-47
	Brushed Chrome	27 858 979-93

Affusion pipe with cover plate FlowReduce - Brushed Dark Platinum

27 858 979 Product version from 4/1/2024

mm [inches]



Codes & Standards

DIN 4109

EN 1717

ISO 3822

Ü-Zeichen

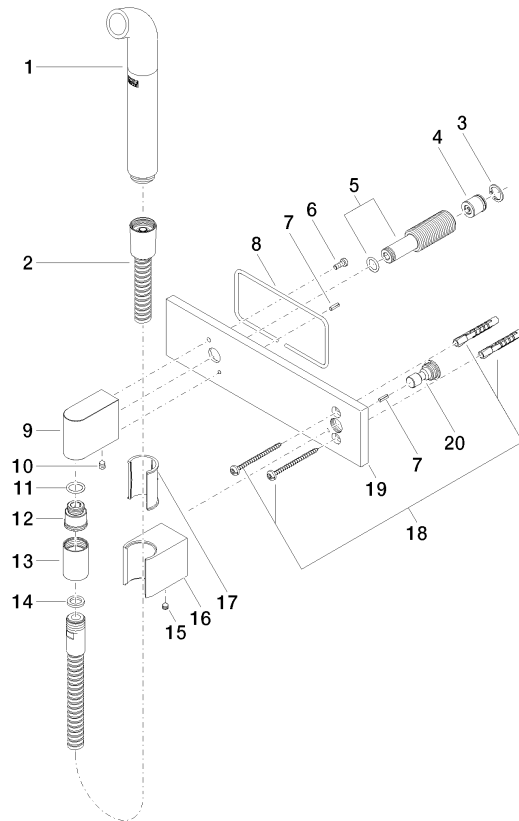
Certificates

Belgaqua_24-007-2 LGA_38

Affusion pipe with cover plate FlowReduce - Brushed Dark Platinum

27 858 979 Product version from 4/1/2024

Parts for other finishes can be found here: [Chrome](#)



Spare parts list

Number	Item Number	Designation	Number of units	Lead time
1	04 12 11 073 01-99	spout	1	20
2	90 30 02 072 00-99	Metal shower hose 1/2" x 3/8" x 49-1/4" - Brushed Dark Platinum	1	20
3	09 16 01 014 90	ring	1	2
4	90 23 01 147 00 90	back-flow preventer	1	2
5	90 24 03 212 00 90	nipple	1	2
6	09 14 10 008 90	seal	1	2
7	09 31 11 026 90	pin	2	2
8	09 14 03 127 90	seal	1	2
9	09 11 03 046-99	connection	1	20
10	90 31 11 004 00 90	pin	1	2
11	90 14 10 077 00 90	seal	1	2
12	09 24 03 107 20 90	nipple	1	2
13	90 21 02 069 00-99	cover	1	20
14	90 14 20 026 00 90	seal	1	2
15	90 31 11 112 00 90	pin	1	2
16	09 17 20 044-99	holder	1	20
17	09 18 40 078 90	sleeve	1	2
18	05 30 31 025 00 90	fixing set	1	2
19	09 11 02 133-99	plate	1	20
20	09 24 03 073 90	nipple	1	2