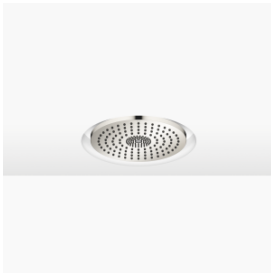


## Rain shower flush mounted with light 11-3/4" - Platinum

28 034 970 Product version from 5/1/2022



- Rain shower diameter 11-3/4"
- PURE RAIN, flow rate max. 1.8 gpm (at 3 bar)
- PURIFY RAIN, flow rate max. 1.6 gpm (at 3 bar)
- Min. rough in depth 5-3/8"
- Descaling system

### Ceiling module power supply

- 12V DC (CV)

### Spot lighting

- Color LED light RGBW
- Lights protected against splashing

### Ambient lighting

- Color LED light RGBW
- Lights protected against splashing

### Control

- ZigBee Light Link RGBW Controller
- To be provided by the customer: Zigbee Gateway

### Environment

- Not suitable for outdoor use.
- Not suitable for use in a steam room.
- Not suitable for use in chlorinated or salty environments.
- Observe the regulations concerning protected zones specified in DIN VDE 0100, Part 701 (IEC 60364-7-701).
- Dornbracht recommends consulting a systems integrator.

**To meet the North American plumbing standards, this application must be installed with a diverter (rough included). Diverter trim is sold separately**

To meet the North American plumbing standards, this application must be installed with a diverter (rough included).

Diverter trim is sold separately

	Platinum	28 034 970-08 0010
	Chrome	28 034 970-00 0010
	Brushed Platinum	28 034 970-06 0010
	Dark Chrome	28 034 970-19 0010
	Light gold	28 034 970-26 0010
	Brushed Light Gold	28 034 970-27 0010
	Brushed Durabrass (23kt Gold)	28 034 970-28 0010
	Matte Black	28 034 970-33 0010
	Brushed Bronze	28 034 970-42 0010
	Brushed Champagne (22kt Gold)	28 034 970-46 0010
	Champagne (22kt Gold)	28 034 970-47 0010
	Brushed Chrome	28 034 970-93 0010
	Brushed Dark Platinum	28 034 970-99 0010

### Required article



**Installation rough flush mounted with light -** 35 034 970-90 0010

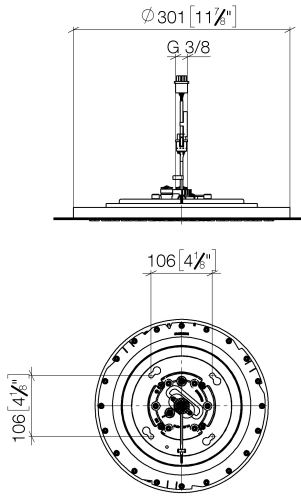
- Must be provided by the customer: Zigbee Gateway!
- Installation depth "
- Pre-assembly kit for three-way diverter included



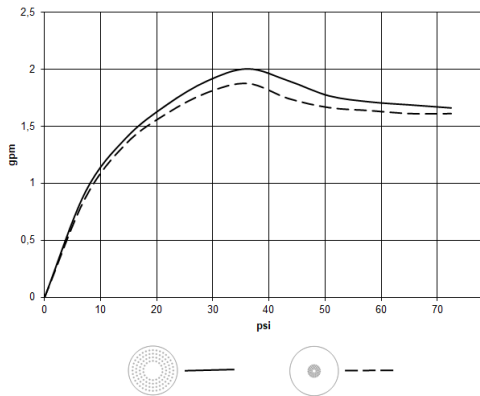
# Rain shower flush mounted with light 11-3/4" - Platinum

28 034 970 Product version from 5/1/2022

mm [inches]



## Flow rate chart



## Codes & Standards

ASME A112.18.1

California Energy  
Commission  
(CEC)

cUPC

EPA WaterSense

Water Sense

WaterSense





## Rain shower flush mounted with light 11-3/4" - Platinum

---

28 034 970 Product version from 5/1/2022

### Certificates

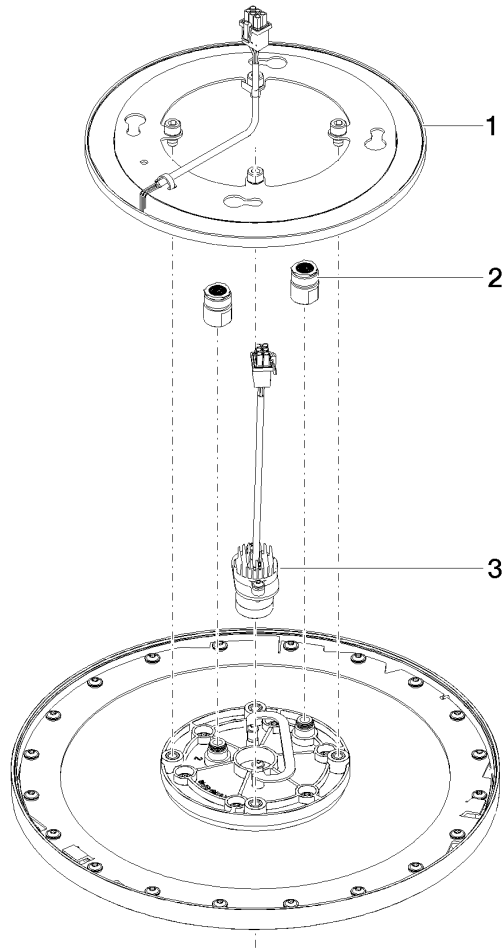
---

IAPMO\_11777

IAPMO\_4976

**Rain shower flush mounted with light 11-3/4" - Platinum**

28 034 970 Product version from 5/1/2022



**Spare parts list**

Number	Item Number	Designation	Number of units	Lead time
1	90 10 01 221 00 90	electronic accessories	1	2
2	90 24 03 309 02 90	connection	1	2
3	90 10 01 225 00 90	electronic accessories	1	2