

## Wall bracket - Brushed Bronze

28 050 625 Product version from 10/1/2023

- Flange diameter 2-1/8"



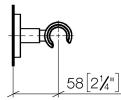
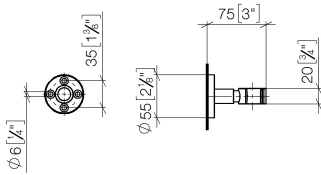
	Brushed Bronze	28 050 625-42
	Chrome	28 050 625-00
	Brushed Platinum	28 050 625-06
	Dark Chrome	28 050 625-19
	Light gold	28 050 625-26
	Brushed Light Gold	28 050 625-27
	Brushed Durabronze (23kt Gold)	28 050 625-28
	Matte Black	28 050 625-33
	Brushed Champagne (22kt Gold)	28 050 625-46
	Champagne (22kt Gold)	28 050 625-47
	Cyprum	28 050 625-49
	Brushed Chrome	28 050 625-93
	Brushed Dark Platinum	28 050 625-99



# Wall bracket - Brushed Bronze

28 050 625 Product version from 10/1/2023

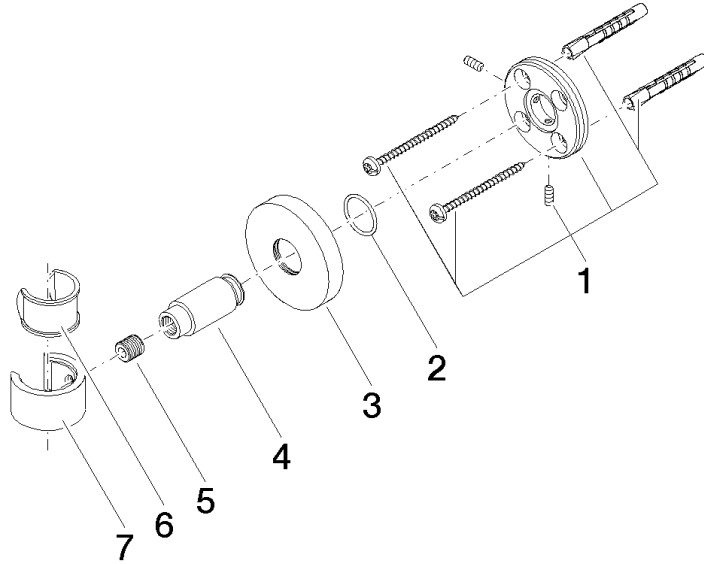
mm [inches]



## Wall bracket - Brushed Bronze

28 050 625 Product version from 10/1/2023

Parts for other finishes can be found here: [Chrome](#)



### Spare parts list

Number	Item Number	Designation	Number of units	Lead time
1	05 17 62 500 00 90	fixing set	1	2
2	90 14 10 032 00 90	seal	1	2
3	08 27 62 500-42	rosette	1	60
4	08 17 62 550-42	holder	1	60
5	08 18 50 585 90	screw	1	2
6	90 18 40 035 00 90	sleeve	1	2
7	09 17 20 014-42	holder	1	60