






EDITION PRO Wall bracket - Chrome

28 050 626

- Flange diameter 2-1/8"



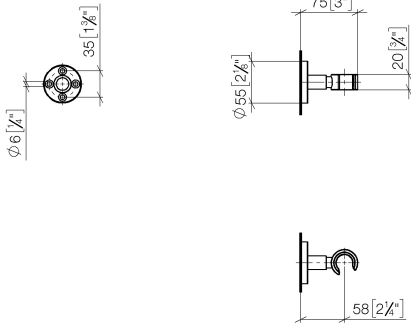
	Chrome	28 050 626-00
	Matte Black	28 050 626-33
	Brushed Chrome	28 050 626-93



EDITION PRO Wall bracket - Chrome

28 050 626

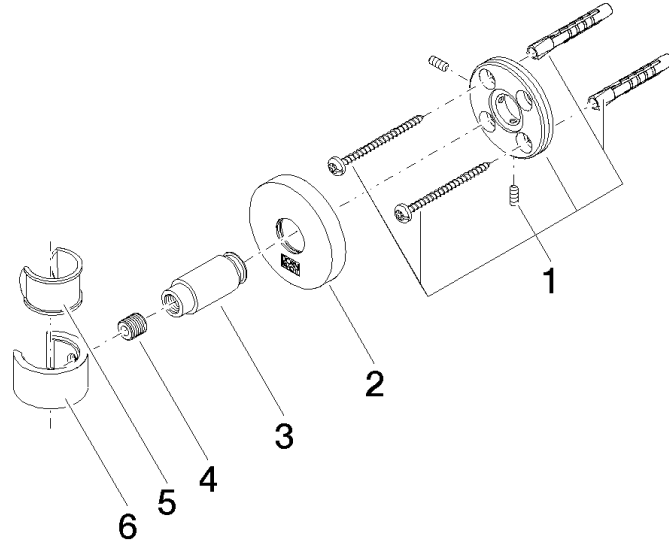
mm [inches]



EDITION PRO Wall bracket - Chrome

28 050 626

Parts for other finishes can be found here: [Matte Black](#)



Spare parts list

Number	Item Number	Designation	Number of units	Lead time
1	05 17 62 500 00 90	fixing set	1	2
2	90 27 62 502 00-00	rosette	1	-
Spare part can no longer be ordered, please order the replacement item				
3	08 17 62 550-00	holder	1	10
4	08 18 50 585 90	screw	1	2
5	90 18 40 035 00 90	sleeve	1	2
6	09 17 20 014-00	holder	1	10