

Showerhead - Platinum

28 504 979 Product version from 10/1/2023



- 7-1/8"-8-1/4" Projection
- Ball-joint pivotable through 30°
- PURIFY RAIN, flow rate max. 1.8 gpm (at 3 bar)
- Descaling system
- Ø 3-7/8"
- Flange diameter 2-1/8"
- 1/2" connection
- This product reduces water consumption by 28% (compared to requirements of EPA Act '92)
- This product can help a building meet the requirements of Green Building Rating Systems, e.g. LEED®, BREEAM®, DGNB

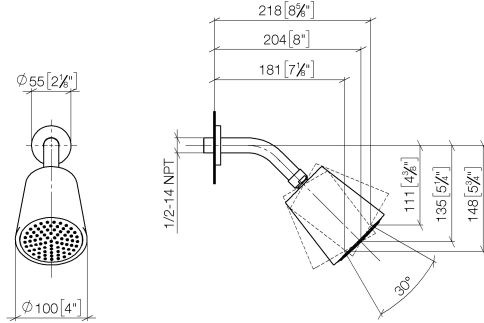
	Platinum	28 504 979-08 0010
	Chrome	28 504 979-00 0010
	Brushed Platinum	28 504 979-06 0010
	Dark Chrome	28 504 979-19 0010
	Light gold	28 504 979-26 0010
	Brushed Light Gold	28 504 979-27 0010
	Brushed Durabronze (23kt Gold)	28 504 979-28 0010
	Matte Black	28 504 979-33 0010
	Brushed Bronze	28 504 979-42 0010
	Brushed Champagne (22kt Gold)	28 504 979-46 0010
	Champagne (22kt Gold)	28 504 979-47 0010
	Brushed Chrome	28 504 979-93 0010
	Brushed Dark Platinum	28 504 979-99 0010



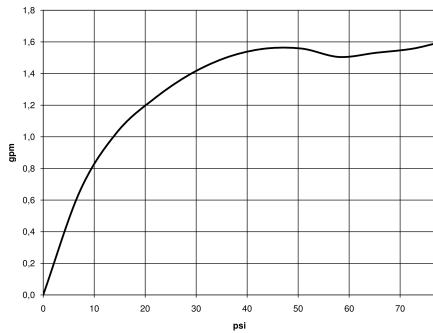
Showerhead - Platinum

28 504 979 Product version from 10/1/2023

mm [inches]



Flow rate chart



Codes & Standards

ASME A112.18.1

ASME
A112.18.1/CSA
B125.1

California Energy
Commission
(CEC)

cUPC



Showerhead - Platinum

28 504 979 Product version from 10/1/2023

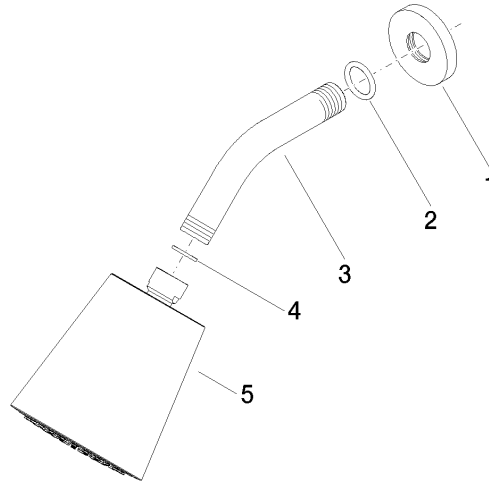
Certificates

IAPMO_4976

Showerhead - Platinum

28 504 979 Product version from 10/1/2023

Parts for other finishes can be found here: [Chrome](#)



Spare parts list

Number	Item Number	Designation	Number of units	Lead time
1	09 27 22 503-08	rosette	1	40
2	90 14 10 026 00 90	seal	1	2
3	09 11 03 011-08	connection	1	40
4	90 14 20 002 00 90	seal	1	2
5	90 12 05 054 01-08	shower	1	40