

Showerhead FlowReduce - Matte Black

28 508 979 Product version from 5/15/2020



- 7-7/8" Projection
- Ball-joint pivotable through 30°
- 3-way adjustable: PURIFY RAIN, COMPACT SOFT FLOW, COMPACT AQUAPRESSURE FLOW, flow rate max. 1.8 gpm (at 3 bar)
- Descaling system
- Ø 3-5/8"
- Flange diameter 2-1/8"
- 1/2" connection
- This product reduces water consumption by 28% (compared to requirements of EPA Act '92)
- This product contributes to meeting the requirements of the LEED® Green Building Rating
- This product can help a building meet the requirements of Green Building Rating Systems, e.g. LEED®, BREEAM®, DGNB

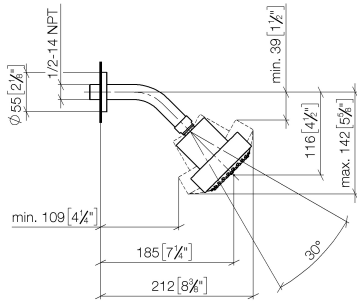
	Matte Black	28 508 979-33 0010
	Chrome	28 508 979-00 0010
	Brushed Platinum	28 508 979-06 0010
	Platinum	28 508 979-08 0010
	Dark Chrome	28 508 979-19 0010
	Light gold	28 508 979-26 0010
	Brushed Light Gold	28 508 979-27 0010
	Brushed Durabrass (23kt Gold)	28 508 979-28 0010
	Brushed Bronze	28 508 979-42 0010
	Brushed Champagne (22kt Gold)	28 508 979-46 0010
	Champagne (22kt Gold)	28 508 979-47 0010
	Brushed Chrome	28 508 979-93 0010
	Brushed Dark Platinum	28 508 979-99 0010



Showerhead FlowReduce - Matte Black

28 508 979 Product version from 5/15/2020

mm [inches]



Flow rate chart



Codes & Standards

ASME A112.18.1	ASME A112.18.1/CSA B125.1	California Energy Commission (CEC)	cUPC
DIN 4109	ISO 3822	Ü-Zeichen	Water Sense



Showerhead FlowReduce - Matte Black

28 508 979 Product version from 5/15/2020

Certificates

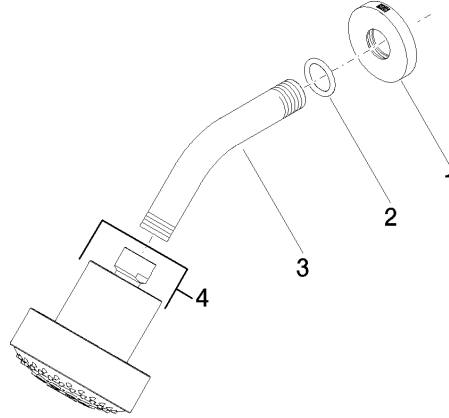
LGA_38

IAPMO_4976

Showerhead FlowReduce - Matte Black

28 508 979 Product version from 5/15/2020

Parts for other finishes can be found here: [Chrome](#)



Spare parts list

Number	Item Number	Designation	Number of units	Lead time
1	09 27 22 019-33	rosette	1	30
2	90 14 10 026 00 90	seal	1	2
3	09 11 03 011-33	connection	1	30
4	04 12 11 110 30-33	shower	1	30