

Showerhead FlowReduce - Chrome

28 508 980 Product version from 5/15/2020



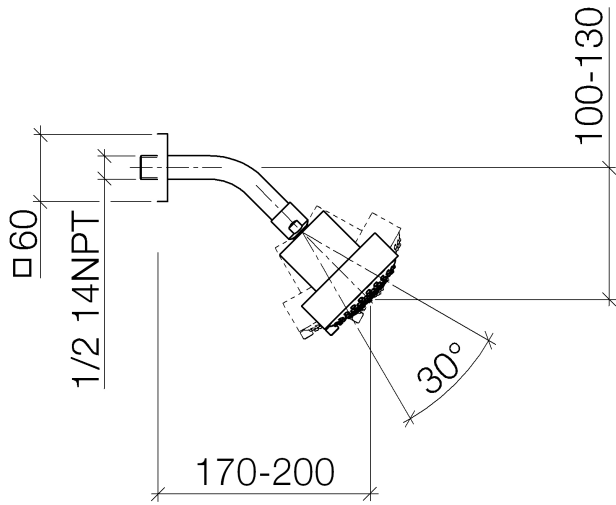
- 7-7/8" Projection
- Ball-joint pivotable through 30°
- 3-way adjustable: COMPACT RAIN, COMPACT SOFT FLOW, COMPACT AQUAPRESSURE FLOW, flow rate max. 1.8 gpm (at 3 bar)
- Descaling system
- Ø 3-5/8"
- Flange 2-3/8" x 2-3/8"
- 1/2" connection
- This product reduces water consumption by 28% (compared to requirements of EPA Act '92)
- This product contributes to meeting the requirements of the LEED® Green Building Rating
- This product can help a building meet the requirements of Green Building Rating Systems, e.g. LEED®, BREEAM®, DGNB

	Chrome	28 508 980-00 0010
	Brushed Platinum	28 508 980-06 0010
	Platinum	28 508 980-08 0010
	Dark Chrome	28 508 980-19 0010
	Brushed Light Gold	28 508 980-27 0010
	Brushed Durabronze (23kt Gold)	28 508 980-28 0010
	Matte Black	28 508 980-33 0010
	Brushed Champagne (22kt Gold)	28 508 980-46 0010
	Champagne (22kt Gold)	28 508 980-47 0010
	Brushed Chrome	28 508 980-93 0010
	Brushed Dark Platinum	28 508 980-99 0010

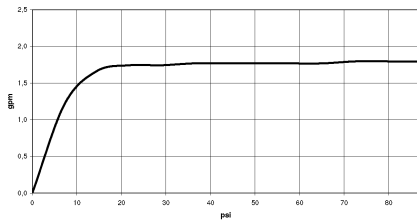


Showerhead FlowReduce - Chrome

28 508 980 Product version from 5/15/2020



Flow rate chart



Codes & Standards

ASME A112.18.1	ASME A112.18.1/CSA B125.1	California Energy Commission (CEC)	cUPC
DIN 4109	ISO 3822	Ü-Zeichen	Water Sense



Showerhead FlowReduce - Chrome

28 508 980 Product version from 5/15/2020

Certificates

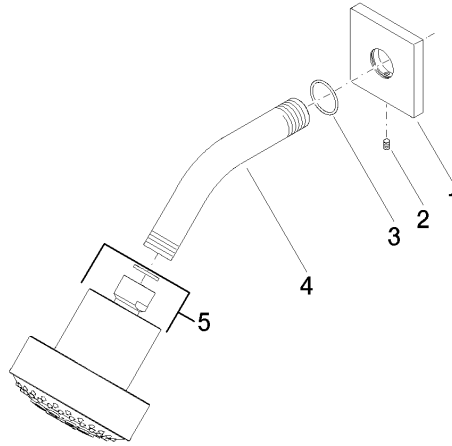
LGA_38

IAPMO_4976

Showerhead FlowReduce - Chrome

28 508 980 Product version from 5/15/2020

Parts for other finishes can be found here: [Brushed](#)
[Platinum](#)



Spare parts list

Number	Item Number	Designation	Number of units	Lead time
1	09 27 98 003-00	rosette	1	10
2	09 31 11 048 90	pin	1	2
3	09 14 10 098 90	seal	1	2
4	09 11 03 011-00	connection	1	10
5	04 12 11 110 30-00	shower	1	10