

Rain shower wall-mounted 8-5/8" - Brushed Platinum


28 649 670 Product version from 3/13/2017



- 17-3/4" Projection
- PURE RAIN, flow rate max. 1.8 gpm (at 3 bar)
- Function from: 1.6 gpm
- Descaling system
- Rain shower diameter 8-5/8"
- Flange 2-1/2" x 2-1/2"
- 1/2" connection
- with drip prevention
- This product reduces water consumption by 28% (compared to requirements of EPA Act '92)
- This product contributes to meeting the requirements of the LEED® Green Building Rating
- This product can help a building meet the requirements of Green Building Rating Systems, e.g. LEED®, BREEAM®, DGNB

	Brushed Platinum	28 649 670-06 0010
	Chrome	28 649 670-00 0010
	Platinum	28 649 670-08 0010
	Dark Chrome	28 649 670-19 0010
	Brushed Light Gold	28 649 670-27 0010
	Brushed Durabronze (23kt Gold)	28 649 670-28 0010
	Matte Black	28 649 670-33 0010
	Brushed Champagne (22kt Gold)	28 649 670-46 0010
	Champagne (22kt Gold)	28 649 670-47 0010
	Brushed Chrome	28 649 670-93 0010
	Brushed Dark Platinum	28 649 670-99 0010

Required article

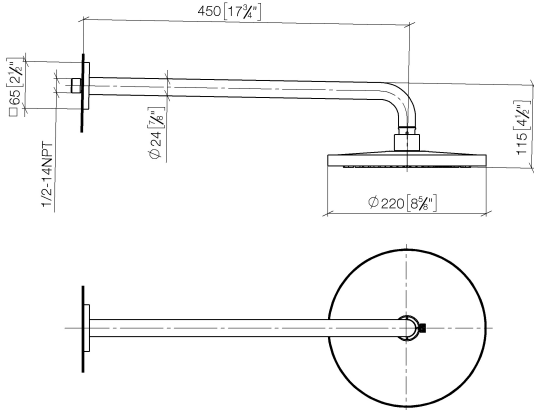
	Concealed wall elbow - •Max. rough in depth " •Min. rough in depth "	35 085 970-90 0010
---	---	-----------------------



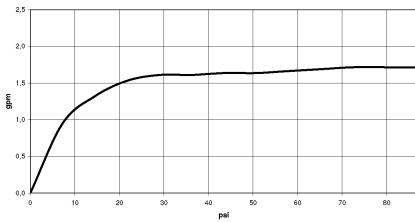
Rain shower wall-mounted 8-5/8" - Brushed Platinum

28 649 670 Product version from 3/13/2017

mm [inches]



Flow rate chart



Codes & Standards

ASME A112.18.1

ASME
A112.18.1/CSA
B125.1

California Energy
Commission
(CEC)

cUPC

EPA WaterSense

Water Sense

WaterSense





Rain shower wall-mounted 8-5/8" - Brushed Platinum

28 649 670 Product version from 3/13/2017

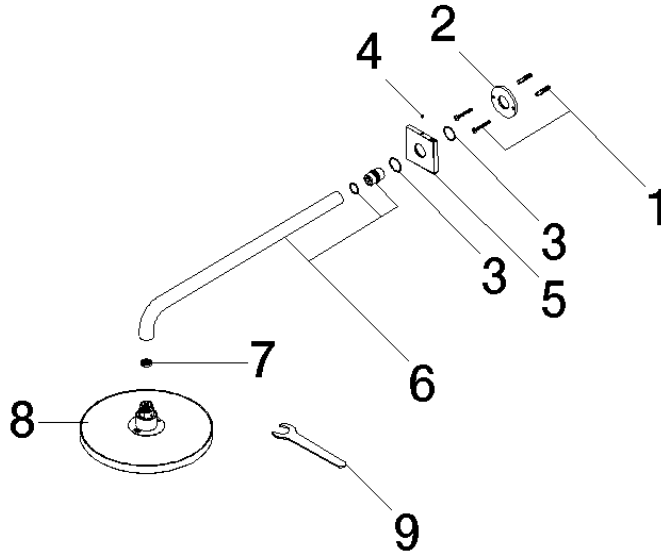
Certificates

IAPMO_4976

IAPMO_11777

Rain shower wall-mounted 8-5/8" - Brushed Platinum

28 649 670 Product version from 3/13/2017



Spare parts list

Number	Item Number	Designation	Number of units	Lead time
1	04 30 31 032 00 90	fixing set	1	2
2	09 17 20 120 90	holder	1	2
3	09 14 10 150 90	seal	2	2
4	90 31 11 038 00 90	pin	1	2
5	09 27 67 015-06	rosette	1	10
6	90 11 03 070 00-06	pipe	1	10
7	09 23 01 075 90	insert	1	2
8	04 12 05 092 10-06	shower	1	10
9	90 30 09 069 00 90	key	1	2