

Rain shower wall-mounted 8-5/8" - Brushed Champagne (22kt Gold)

28 649 670



- 17-3/4" Projection
- PURE RAIN, flow rate max. 1.8 gpm (at 3 bar)
- Function from: 1.6 gpm
- Descaling system
- Rain shower diameter 8-5/8"
- Flange 2-1/2" x 2-1/2"
- 1/2" connection
- with drip prevention
- This product reduces water consumption by 28% (compared to requirements of EAct '92)
- This product contributes to meeting the requirements of the LEED® Green Building Rating
- This product can help a building meet the requirements of Green Building Rating Systems, e.g. LEED®, BREEAM®, DGNB

	Brushed Champagne (22kt Gold)	28 649 670-46 0010
	Chrome	28 649 670-00 0010
	Brushed Platinum	28 649 670-06 0010
	Platinum	28 649 670-08 0010
	Dark Chrome	28 649 670-19 0010
	Brushed Light Gold	28 649 670-27 0010
	Brushed Durabrass (23kt Gold)	28 649 670-28 0010
	Matte Black	28 649 670-33 0010
	Champagne (22kt Gold)	28 649 670-47 0010
	Brushed Chrome	28 649 670-93 0010
	Brushed Dark Platinum	28 649 670-99 0010

Required article

Concealed wall elbow -

35 085 970-90
0010

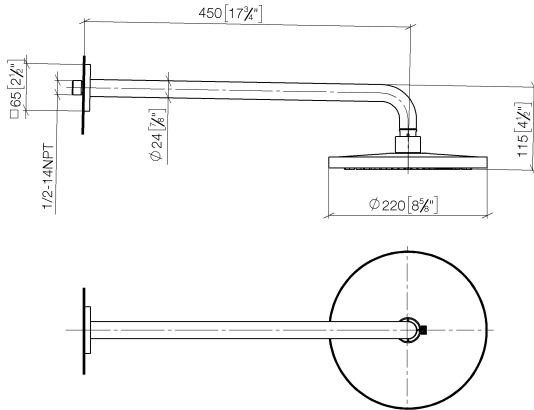




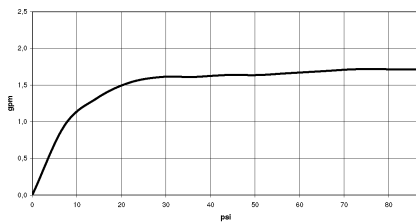
Rain shower wall-mounted 8-5/8" - Brushed Champagne (22kt Gold)

28 649 670

mm [inches]



Flow rate chart



Codes & Standards

ASME A112.18.1

cUPC



Rain shower wall-mounted 8-5/8" - Brushed Champagne (22kt Gold)

28 649 670

Certificates

IAPMO_4976



Rain shower wall-mounted 8-5/8" - Brushed Champagne (22kt Gold)

28 649 670

