

Rain shower wall-mounted 11-3/4" - Platinum

28 679 670 Product version from 3/13/2017



- 17-3/4" Projection
- PURE RAIN, flow rate max. 1.8 gpm (at 3 bar)
- Function from: 1.7 gpm
- Descaling system
- Rain shower diameter 11-3/4"
- Flange 2-1/2" x 2-1/2"
- 1/2" connection
- with drip prevention
- This product reduces water consumption by 28% (compared to requirements of EPA Act '92)
- This product contributes to meeting the requirements of the LEED® Green Building Rating
- This product can help a building meet the requirements of Green Building Rating Systems, e.g. LEED®, BREEAM®, DGNB

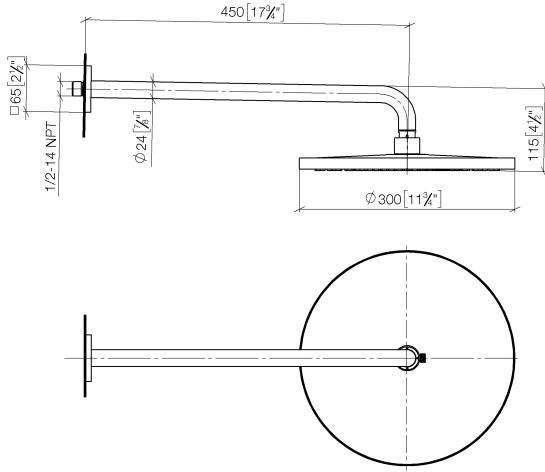
	Platinum	28 679 670-08 0010
	Chrome	28 679 670-00 0010
	Brushed Platinum	28 679 670-06 0010
	Dark Chrome	28 679 670-19 0010
	Brushed Light Gold	28 679 670-27 0010
	Brushed Durabronze (23kt Gold)	28 679 670-28 0010
	Matte Black	28 679 670-33 0010
	Brushed Champagne (22kt Gold)	28 679 670-46 0010
	Champagne (22kt Gold)	28 679 670-47 0010
	Brushed Chrome	28 679 670-93 0010
	Brushed Dark Platinum	28 679 670-99 0010



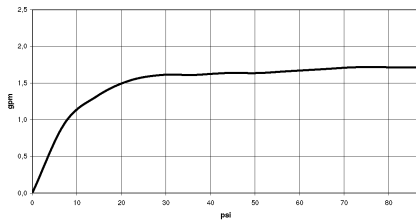
Rain shower wall-mounted 11-3/4" - Platinum

28 679 670 Product version from 3/13/2017

mm [inches]



Flow rate chart



Codes & Standards

ASME A112.18.1

ASME
A112.18.1/CSA
B125.1

California Energy
Commission
(CEC)

cUPC

EPA WaterSense

Water Sense

WaterSense





Rain shower wall-mounted 11-3/4" - Platinum

28 679 670 Product version from 3/13/2017

Certificates

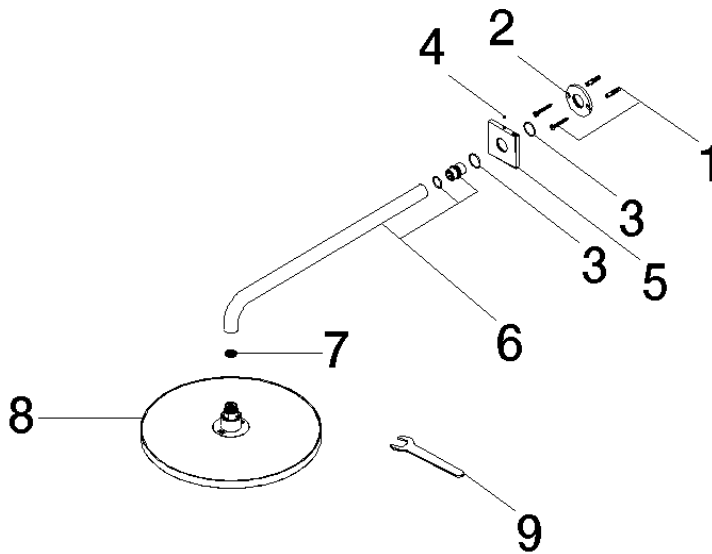
IAPMO_4976

IAPMO_11777

Rain shower wall-mounted 11-3/4" - Platinum

28 679 670 Product version from 3/13/2017

Parts for other finishes can be found here: [Chrome](#)



Spare parts list

Number	Item Number	Designation	Number of units	Lead time
1	04 30 31 032 00 90	fixing set	1	2
2	09 17 20 120 90	holder	1	2
3	09 14 10 150 90	seal	2	2
4	90 31 11 038 00 90	pin	1	2
5	09 27 67 015-08	rosette	1	40
6	90 11 03 070 00-08	pipe	1	40
7	09 23 01 075 90	insert	1	2
8	04 12 05 091 10-08	shower	1	40
9	90 30 09 069 00 90	key	1	2