



## Rain shower wall-mounted 11-3/4" x 9-1/2" - Dark Chrome

28 765 980



- 17-3/4" Projection
- PURE RAIN, flow rate max. 1.8 gpm (at 3 bar)
- Function from: 1.6 gpm
- Descaling system
- 11-3/4" x 9-1/2" Rain showerhead
- Flange 2-3/8" x 2-3/8"
- 1/2" connection
- with drip prevention
- This product reduces water consumption by 28% (compared to requirements of EAct '92)
- This product contributes to meeting the requirements of the LEED® Green Building Rating
- This product can help a building meet the requirements of Green Building Rating Systems, e.g. LEED®, BREEAM®, DGNB

	Dark Chrome	28 765 980-19 0010
	Chrome	28 765 980-00 0010
	Brushed Platinum	28 765 980-06 0010
	Platinum	28 765 980-08 0010
	Brushed Light Gold	28 765 980-27 0010
	Brushed Durabronze (23kt Gold)	28 765 980-28 0010
	Matte Black	28 765 980-33 0010
	Brushed Champagne (22kt Gold)	28 765 980-46 0010
	Champagne (22kt Gold)	28 765 980-47 0010
	Brushed Chrome	28 765 980-93 0010
	Brushed Dark Platinum	28 765 980-99 0010

### Required article

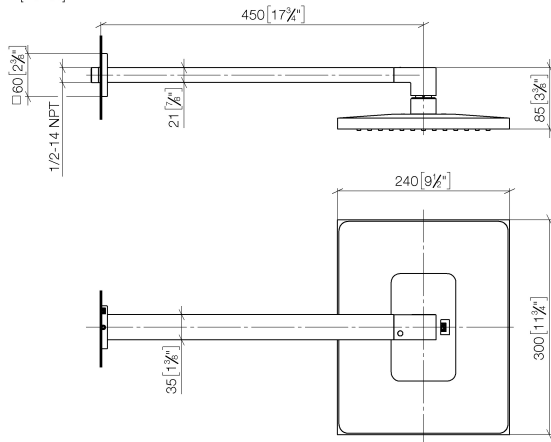
	<b>Concealed wall elbow -</b> <ul style="list-style-type: none"><li>•Max. rough in depth "</li><li>•Min. rough in depth "</li></ul>	35 085 970-90 0010
--	---	--------------------



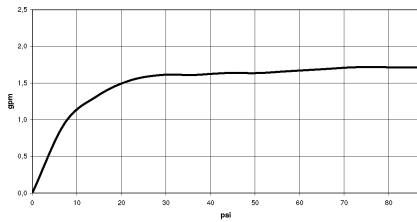
## Rain shower wall-mounted 11-3/4" x 9-1/2" - Dark Chrome

28 765 980

mm [inches]



### Flow rate chart



### Codes & Standards

ASME A112.18.1

ASME  
A112.18.1/CSA  
B125.1

California Energy  
Commission  
(CEC)

cUPC



## Rain shower wall-mounted 11-3/4" x 9-1/2" - Dark Chrome

---

28 765 980

Certificates

---

IAPMO\_4976



# Rain shower wall-mounted 11-3/4" x 9-1/2" - Dark Chrome

28 765 980

