

Rain shower wall-mounted 11-3/4" x 9-1/2" - Brushed Dark Platinum

28 765 980 Product version from 3/13/2017



- 17-3/4" Projection
- PURE RAIN, flow rate max. 1.8 gpm (at 3 bar)
- Function from: 1.6 gpm
- Descaling system
- 11-3/4" x 9-1/2" Rain showerhead
- Flange 2-3/8" x 2-3/8"
- 1/2" connection
- with drip prevention
- This product reduces water consumption by 28% (compared to requirements of EPA Act '92)
- This product contributes to meeting the requirements of the LEED® Green Building Rating
- This product can help a building meet the requirements of Green Building Rating Systems, e.g. LEED®, BREEAM®, DGNB

	Brushed Dark Platinum	28 765 980-99 0010
	Chrome	28 765 980-00 0010
	Brushed Platinum	28 765 980-06 0010
	Platinum	28 765 980-08 0010
	Dark Chrome	28 765 980-19 0010
	Brushed Light Gold	28 765 980-27 0010
	Brushed Durabronze (23kt Gold)	28 765 980-28 0010
	Matte Black	28 765 980-33 0010
	Brushed Champagne (22kt Gold)	28 765 980-46 0010
	Champagne (22kt Gold)	28 765 980-47 0010
	Brushed Chrome	28 765 980-93 0010

Required article



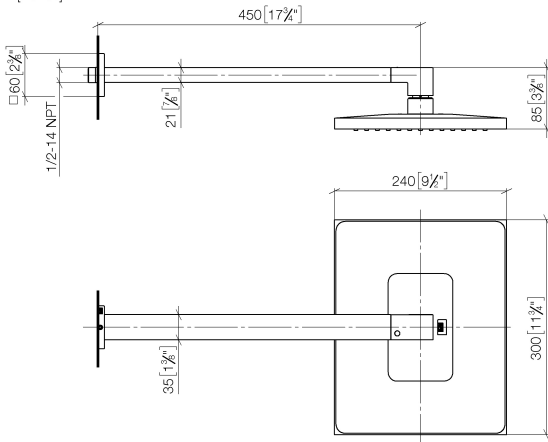
- Concealed wall elbow -** 35 085 970-90
 •Max. rough in depth " 0010
 •Min. rough in depth "



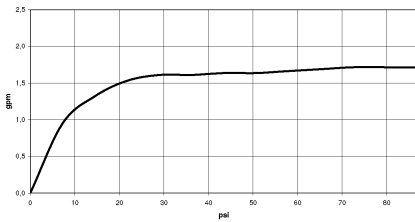
Rain shower wall-mounted 11-3/4" x 9-1/2" - Brushed Dark Platinum

28 765 980 Product version from 3/13/2017

mm [inches]



Flow rate chart



Codes & Standards

ASME A112.18.1

ASME
A112.18.1/CSA
B125.1

California Energy
Commission
(CEC)

cUPC

EPA WaterSense

Water Sense

WaterSense





Rain shower wall-mounted 11-3/4" x 9-1/2" - Brushed Dark Platinum

28 765 980 Product version from 3/13/2017

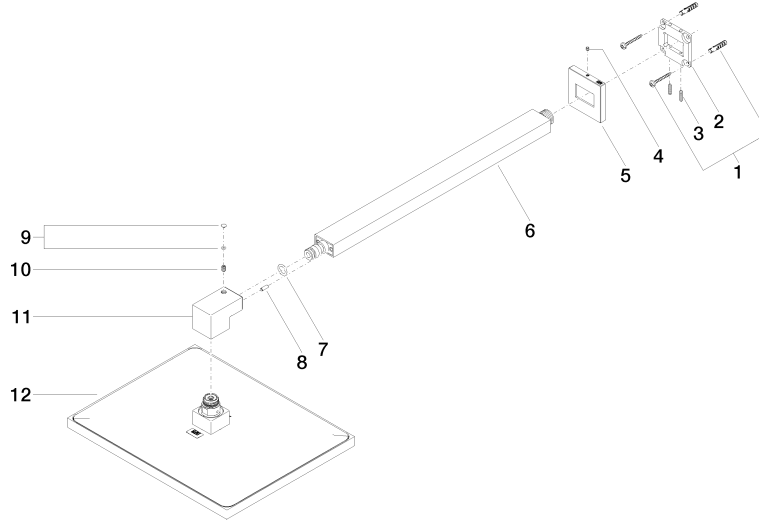
Certificates

IAPMO_4976

IAPMO_11777

Rain shower wall-mounted 11-3/4" x 9-1/2" - Brushed Dark Platinum

28 765 980 Product version from 3/13/2017



Spare parts list

Number	Item Number	Designation	Number of units	Lead time
1	04 30 31 032 00 90	fixing set	1	2
2	09 30 11 160 90	disc	1	2
3	09 31 11 084 90	pin	2	2
4	09 31 11 099 90	pin	1	2
5	09 27 98 016-99	rosette	1	20
6	04 28 22 249 00-99	pipe	1	20
7	90 14 10 011 00 90	seal	1	2
8	09 31 11 040 90	pin	1	2
9	90 31 20 087 00-99	plug	1	20
10	09 31 11 036 90	pin	1	2
11	09 17 01 180-99	connection	1	20
12	04 12 05 063 10-99	shower	1	20