





LULU Rain shower wall-mounted 11-3/4" x 9-1/2" - Brushed Platinum


28 786 710 Product version from 3/13/2017



- 17-3/4" Projection
- PURE RAIN, flow rate max. 1.8 gpm (at 3 bar)
- Function from: 1.6 gpm
- Descaling system
- 11-3/4" x 9-1/2" Rain showerhead
- Flange 3-1/8" x 2-3/8"
- 1/2" connection
- with drip prevention
- This product reduces water consumption by 28% (compared to requirements of EPA Act '92)
- This product contributes to meeting the requirements of the LEED® Green Building Rating
- This product can help a building meet the requirements of Green Building Rating Systems, e.g. LEED®, BREEAM®, DGNB

	Brushed Platinum	28 786 710-06 0010
	Chrome	28 786 710-00 0010

Required article

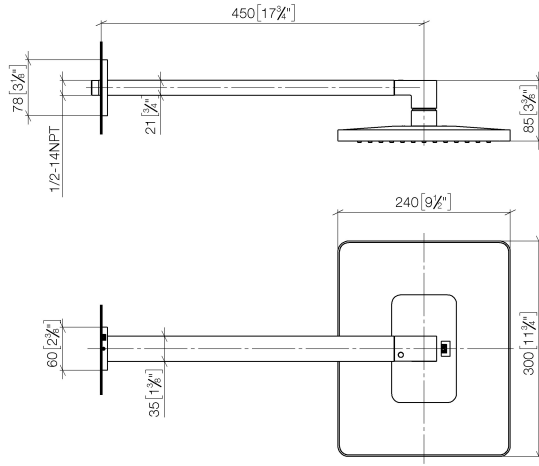
	Concealed wall elbow - <ul style="list-style-type: none">• Max. rough in depth "• Min. rough in depth "	35 085 970-90 0010
---	---	-----------------------



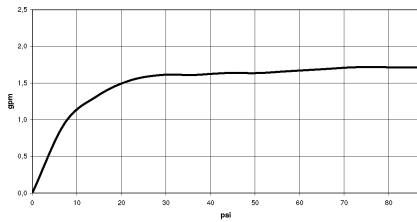
LULU Rain shower wall-mounted 11-3/4" x 9-1/2" - Brushed Platinum

28 786 710 Product version from 3/13/2017

mm [inches]



Flow rate chart



Codes & Standards

ASME A112.18.1	ASME A112.18.1/CSA B125.1	California Energy Commission (CEC)	cUPC
EPA WaterSense	Water Sense	WaterSense	





LULU Rain shower wall-mounted 11-3/4" x 9-1/2" - Brushed Platinum

28 786 710 Product version from 3/13/2017

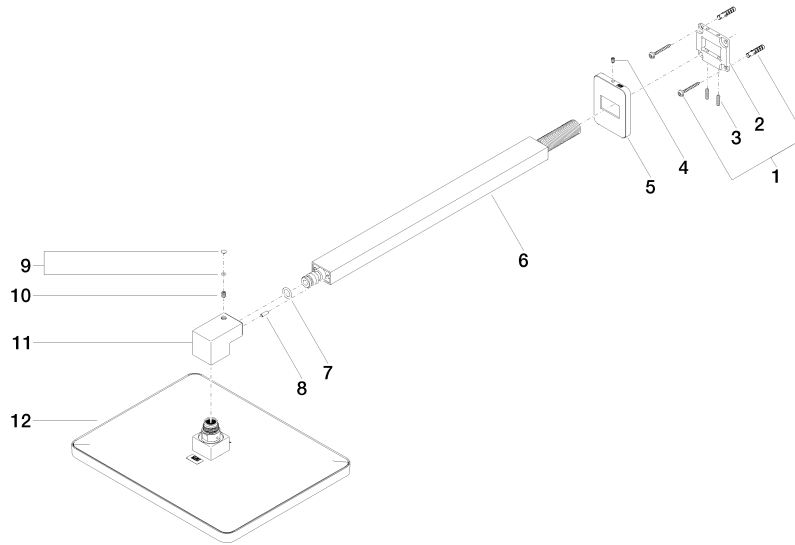
Certificates

IAPMO_4976

IAPMO_11777

LULU Rain shower wall-mounted 11-3/4" x 9-1/2" - Brushed Platinum

28 786 710 Product version from 3/13/2017



Spare parts list

Number	Item Number	Designation	Number of units	Lead time
1	04 30 31 032 00 90	fixing set	1	2
2	09 30 11 160 90	disc	1	2
3	09 31 11 084 90	pin	2	2
4	09 31 11 048 90	pin	1	2
5	09 27 71 019-06	rosette	1	10
6	04 28 22 247 20-06	pipe	1	10
7	90 14 10 011 00 90	seal	1	2
8	09 31 11 040 90	pin	1	2
9	90 31 20 087 00-06	plug	1	10
10	09 31 11 036 90	pin	1	2
11	09 17 01 180-06	connection	1	10
12	04 12 05 062 10-06	shower	1	10