



## TARA Two-way diverter for deck-mounted tub installation - Dark Chrome

29 140 892



- Integrated diverter
- 1-1/4" hole diameter
- Flange diameter 2-1/8"
- 1/2" connection
- Water flow rate limited to max. 17.1 gpm

(ADA)

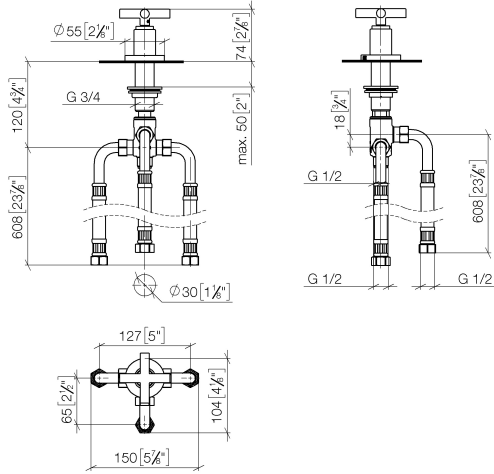
	Dark Chrome	29 140 892-19
	Chrome	29 140 892-00
	Brushed Platinum	29 140 892-06
	Platinum	29 140 892-08
	Brushed Durabronze (23kt Gold)	29 140 892-28
	Matte Black	29 140 892-33
	Brushed Bronze	29 140 892-42
	Brushed Champagne (22kt Gold)	29 140 892-46
	Champagne (22kt Gold)	29 140 892-47
	Brushed Chrome	29 140 892-93
	Brushed Dark Platinum	29 140 892-99



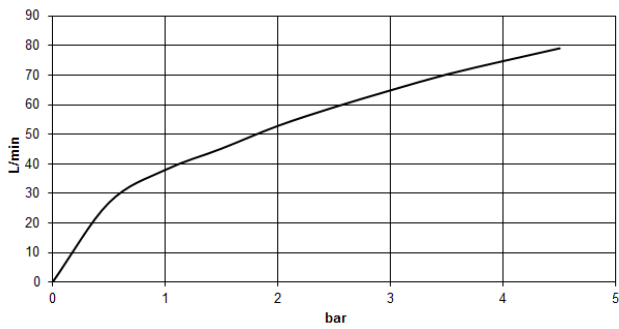
## TARA Two-way diverter for deck-mounted tub installation - Dark Chrome

29 140 892

mm [inches]



### Flow rate chart



### Codes & Standards

ASME A112.18.1	ASME A112.18.1/CSA B125.1	California Energy Commission (CEC)	cUPC
DIN 4109	ISO 3822	Ü-Zeichen	



## TARA Two-way diverter for deck-mounted tub installation - Dark Chrome

---

29 140 892

### Certificates

---

LGA\_29

IAPMO\_4976



# TARA Two-way diverter for deck-mounted tub installation - Dark Chrome

29 140 892

Parts for other finishes can be found here: [Chrome](#)

