



TARA Two-way diverter for deck-mounted tub installation - Brushed Bronze

29 140 892 Product version from 6/30/2015



- Integrated diverter
- 1-1/4" hole diameter
- Flange diameter 2-1/8"
- 1/2" connection
- Water flow rate limited to max. 17.1 gpm

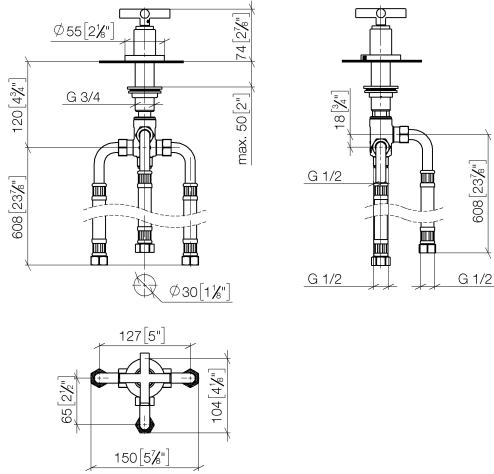
(ADA)

	Brushed Bronze	29 140 892-42
	Chrome	29 140 892-00
	Brushed Platinum	29 140 892-06
	Platinum	29 140 892-08
	Dark Chrome	29 140 892-19
	Brushed Durabronze (23kt Gold)	29 140 892-28
	Matte Black	29 140 892-33
	Brushed Champagne (22kt Gold)	29 140 892-46
	Champagne (22kt Gold)	29 140 892-47
	Brushed Chrome	29 140 892-93
	Brushed Dark Platinum	29 140 892-99

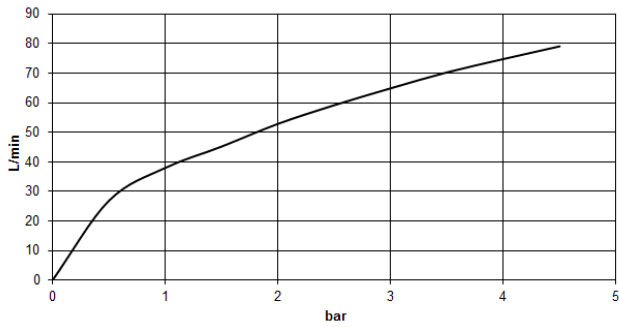
TARA Two-way diverter for deck-mounted tub installation - Brushed Bronze

29 140 892 Product version from 6/30/2015

mm [inches]



Flow rate chart



Codes & Standards

ASME A112.18.1	ASME A112.18.1/CSA B125.1	California Energy Commission (CEC)	cUPC
DIN 4109	ISO 3822	Ü-Zeichen	



TARA Two-way diverter for deck-mounted tub installation - Brushed Bronze

29 140 892 Product version from 6/30/2015

Certificates

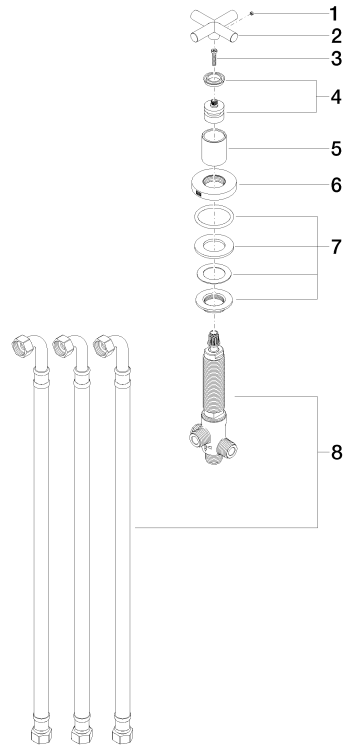
LGA_29

IAPMO_4976

TARA Two-way diverter for deck-mounted tub installation - Brushed Bronze

29 140 892 Product version from 6/30/2015

Parts for other finishes can be found here: [Chrome](#)



Spare parts list

Number	Item Number	Designation	Number of units	Lead time
1	09 31 11 055 90	pin	1	2
2	09 20 89 011-42	handle	1	60
3	90 30 30 075 00 90	screw	1	2
4	90 12 12 007 00-42	base	1	30
5	09 21 02 140-42	sleeve	1	60
6	09 27 89 102-42	rosette	1	60
7	04 23 10 004 03 90	fixing set	1	2
8	90 17 09 051 00 90	diverter	1	2