



Two-way diverter for deck-mounted tub installation - Dark Chrome

29 140 979

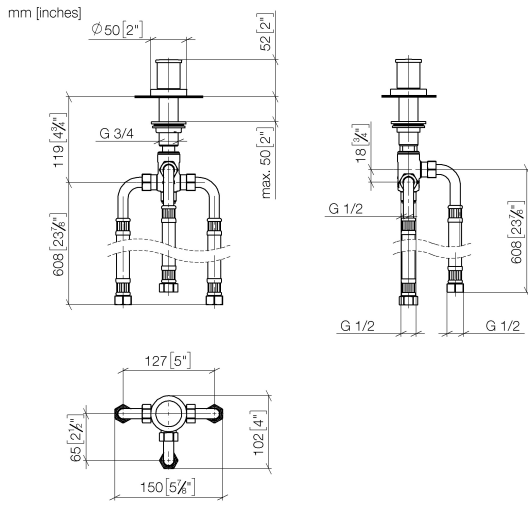


- Integrated diverter
- 1-1/4" hole diameter
- Flange diameter 2"
- 1/2" connection
- Water flow rate limited to max. 17.1 gpm

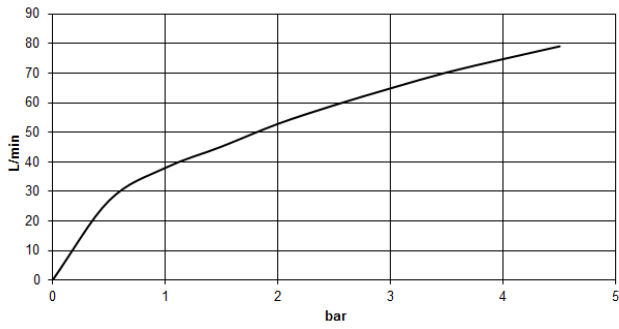
	Dark Chrome	29 140 979-19
	Chrome	29 140 979-00
	Brushed Platinum	29 140 979-06
	Platinum	29 140 979-08
	Brushed Durabronze (23kt Gold)	29 140 979-28
	Matte Black	29 140 979-33
	Brushed Bronze	29 140 979-42
	Brushed Champagne (22kt Gold)	29 140 979-46
	Champagne (22kt Gold)	29 140 979-47
	Brushed Chrome	29 140 979-93
	Brushed Dark Platinum	29 140 979-99

Two-way diverter for deck-mounted tub installation - Dark Chrome

29 140 979



Flow rate chart



Codes & Standards

California Energy
Commission
(CEC)

DIN 4109

ISO 3822

Ü-Zeichen



Two-way diverter for deck-mounted tub installation - Dark Chrome

29 140 979

Certificates

LGA_29



Two-way diverter for deck-mounted tub installation - Dark Chrome

29 140 979

Parts for other finishes can be found here: [Chrome](#)

