



Two-way diverter for deck-mounted tub installation - Brushed Champagne (22kt Gold)

29 140 979 Product version from 6/30/2015



- Integrated diverter
- 1-1/4" hole diameter
- Flange diameter 2"
- 1/2" connection
- Water flow rate limited to max. 17.1 gpm

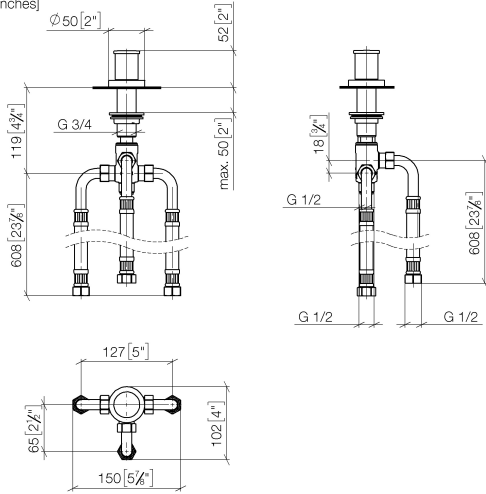
	Brushed Champagne (22kt Gold)	29 140 979-46
	Chrome	29 140 979-00
	Brushed Platinum	29 140 979-06
	Platinum	29 140 979-08
	Dark Chrome	29 140 979-19
	Brushed Durabronze (23kt Gold)	29 140 979-28
	Matte Black	29 140 979-33
	Brushed Bronze	29 140 979-42
	Champagne (22kt Gold)	29 140 979-47
	Brushed Chrome	29 140 979-93
	Brushed Dark Platinum	29 140 979-99



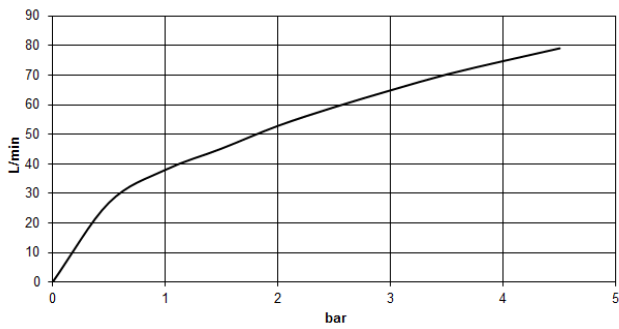
Two-way diverter for deck-mounted tub installation - Brushed Champagne (22kt Gold)

29 140 979 Product version from 6/30/2015

mm [inches]



Flow rate chart



Codes & Standards

California Energy
Commission
(CEC)

DIN 4109

ISO 3822

Ü-Zeichen



Two-way diverter for deck-mounted tub installation - Brushed Champagne (22kt Gold)

29 140 979 Product version from 6/30/2015

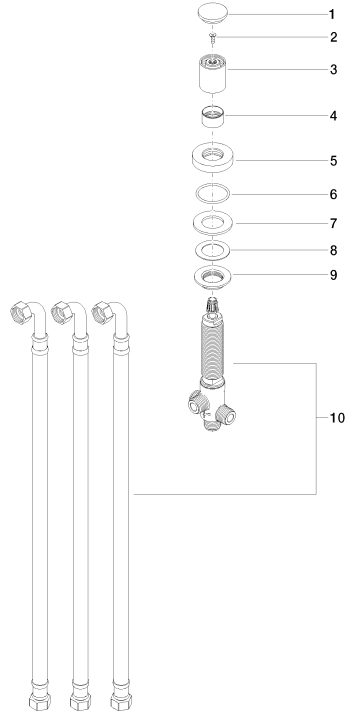
Certificates

LGA_29

Two-way diverter for deck-mounted tub installation - Brushed Champagne (22kt Gold)

29 140 979 Product version from 6/30/2015

Parts for other finishes can be found here: [Chrome](#)



Spare parts list

Number	Item Number	Designation	Number of units	Lead time
1	09 20 71 003-46	handle	1	30
2	90 30 30 014 00 90	screw	1	2
3	09 20 71 002-46	handle	1	30
4	09 16 01 012-46	ring	1	30
5	09 27 97 013-46	rosette	1	30
6	09 14 10 030 90	seal	1	2
7	09 14 05 014 90	seal	1	2
8	09 14 40 002 90	seal	1	2
9	09 23 10 004 90	nut	1	2
10	90 17 09 051 00 90	diverter	1	2