



META 02 Two-hole mixer with individual flanges - Brushed Platinum

32 815 625 Product version from 5/11/2021



- 9-1/4" Projection
- Swiveling spout 360°
- Aerated stream
- Total height 13-5/8"
- Height to aerator/spout outlet 10-1/4"
- Spout hole diameter 1-3/8"
- Single-lever mixer hole diameter 1-3/8"
- 2 x pressure hose with 3/8" compression fitting
- Water flow rate limited to max. 1.5 gpm
- lead-free

(ADA)

Flexible positioning of components.

Recommended article

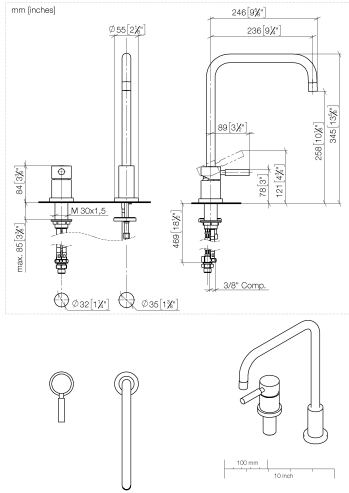
AIR SWITCH operating button, trim parts only - Brushed Platinum 10 713 970-06



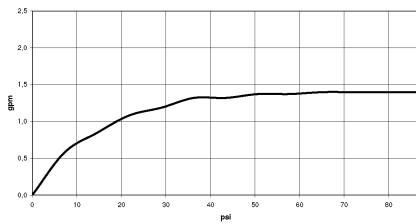


META 02 Two-hole mixer with individual flanges - Brushed Platinum

32 815 625 Product version from 5/11/2021



Flow rate chart



Codes & Standards

ADA	ASME A112.18.1	ASME A112.18.1/CSA B125.1	California Energy Commission (CEC)
cUPC	NSF/ANSI 372	NSF/ANSI/CAN 61	NSF372
NSF61			



META 02 Two-hole mixer with individual flanges - Brushed Platinum

32 815 625 Product version from 5/11/2021

Certificates

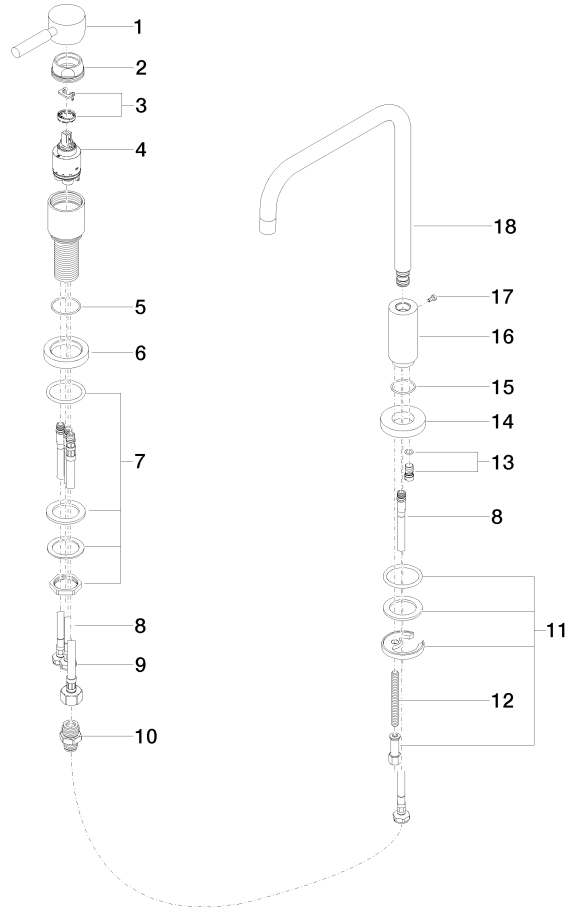
IAPMO_N-4

IAPMO_6

IAPMO_4976 (

META 02 Two-hole mixer with individual flanges - Brushed Platinum

32 815 625 Product version from 5/11/2021



Spare parts list

Number	Item Number	Designation	Number of units	Lead time
1	90 20 62 040 00-06	handle	1	10
2	09 24 04 107-06	nut	1	10
3	90 28 10 148 00 90	accessories	1	2
4	90 15 05 065 00 90	cartridge	1	2
5	09 14 10 102 90	seal	1	2
6	09 28 10 111-06	rosette	1	10
7	04 23 10 032 46 90	fixing set	1	2
8	04 30 04 106 00 90	hose	3	2
9	04 30 04 019 00 90	hose	1	2
10	90 24 03 514 00 90	nipple set	1	2
11	04 30 11 038 00 90	fixing set	1	2
12	09 31 11 011 90	pin	1	2
13	04 31 20 046 10 92	set	1	2
14	09 28 10 064-06	rosette	1	10
15	09 14 10 120 90	seal	1	2
16	09 11 10 062 10-06	connection	1	10
17	09 30 30 057 90	screw	1	2
18	90 28 22 209 02-06	spout	1	10