



META SQUARE Two-hole mixer with individual flanges - Durabronz (23kt Gold)

32 815 861 Product version from 10/1/2024



- 9-1/4" Projection
- Swiveling spout 360°
- Optional restricted swivel available with swivel limiter set 12 820 970 90
- Aerated stream
- Total height 13-1/4"
- Height to aerator/spout outlet 10-3/8"
- Individual flanges 2-3/8" x 2-3/8"
- Spout hole diameter 1-3/8"
- Single-lever mixer hole diameter 1-3/8"
- 2 x pressure hose with 3/8" compression fitting
- Water flow rate limited to max. 1.5 gpm
- lead-free
- This product can help a building meet the requirements of Green Building Rating Systems, e.g. LEED®, BREEAM®, DGNB

(ADA)

Flexible positioning of components.

	Durabronz (23kt Gold)	32 815 861-09 0010
	Chrome	32 815 861-00 0010
	Brushed Platinum	32 815 861-06 0010
	Platinum	32 815 861-08 0010
	Dark Chrome	32 815 861-19 0010
	Brushed Durabronz (23kt Gold)	32 815 861-28 0010
	Matte Black	32 815 861-33 0010
	Brushed Bronze	32 815 861-42 0010
	Brushed Champagne (22kt Gold)	32 815 861-46 0010
	Champagne (22kt Gold)	32 815 861-47 0010
	Brushed Chrome	32 815 861-93 0010
	Brushed Dark Platinum	32 815 861-99 0010

Recommended article

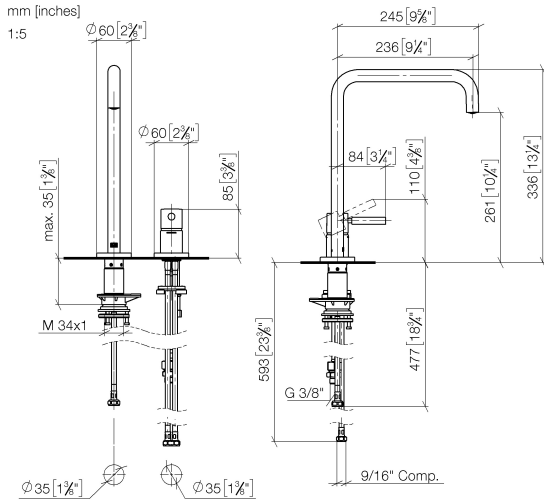
AIR SWITCH operating button, trim parts only - Durabronz (23kt Gold) 10 713 970-09



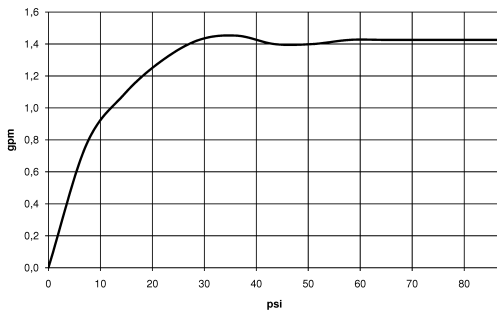


META SQUARE Two-hole mixer with individual flanges - Durabross (23kt Gold)

32 815 861 Product version from 10/1/2024



Flow rate chart



Codes & Standards

ASME A112.18.1	California Energy Commission (CEC)	cUPC	NSF372
NSF61			



META SQUARE Two-hole mixer with individual flanges - Durabronze (23kt Gold)

32 815 861 Product version from 10/1/2024

Certificates

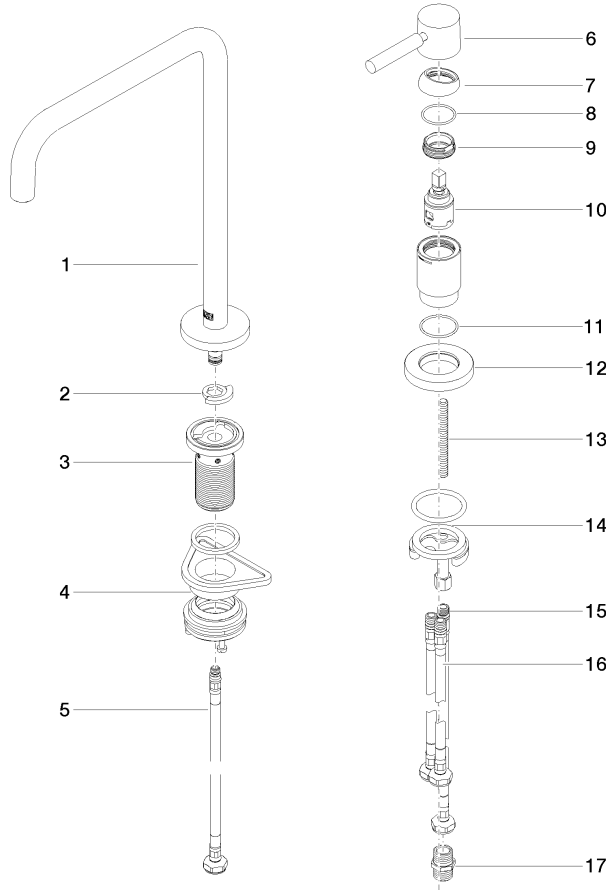
IAPMO_6397

IAPMO_N-4976

IAPMO_4976 (

META SQUARE Two-hole mixer with individual flanges - Durabronz (23kt Gold)

32 815 861 Product version from 10/1/2024



Spare parts list

Number	Item Number	Designation	Number of units	Lead time
1	90 28 22 288 00-09	spout	1	-
Spare part can no longer be ordered, please order the replacement item				
2	12 820 970 90	Swivel limiter set -	1	2
3	90 30 01 299 00 90	shaft	1	2
4	04 23 10 044 08 90	fixing set	1	2
5	04 30 04 100 00 90	hose	1	2
6	90 20 66 003 00-09	handle	1	-
Spare part can no longer be ordered, please order the replacement item				
7	09 28 30 026-09	cover	1	60
8	09 14 10 091 90	seal	1	2
9	09 24 04 266 90	nut	1	2
10	90 15 05 042 00 90	cartridge	1	2
11	09 14 10 110 90	seal	1	2
12	09 27 97 040-09	rosette	1	60
13	09 31 11 011 90	pin	1	2
14	04 30 11 085 97 90	fixing set	1	2
15	04 30 04 104 00 90	hose	1	2
16	04 30 04 107 00 90	hose	2	2
17	90 24 03 250 00 90	nipple	1	2