

TARA ULTRA Two-hole mixer with individual flanges - Platinum

32 815 875 Product version from 10/1/2024



- 9-1/2" Projection
- Swiveling spout 360°
- Optional restricted swivel available with swivel limiter set 12 820 970 90
- Aerated stream
- Total height 14-5/8"
- Height to aerator/spout outlet 8-7/8"
- Individual flanges 2-3/8" x 2-3/8"
- Spout hole diameter 1-3/8"
- Single-lever mixer hole diameter 1-3/8"
- 2 x pressure hose with 3/8" compression fitting
- Water flow rate limited to max. 1.5 gpm
- lead-free
- This product can help a building meet the requirements of Green Building Rating Systems, e.g. LEED®, BREEAM®, DGNB

(ADA)

Flexible positioning of components.

	Platinum	32 815 875-08 0010
	Chrome	32 815 875-00 0010
	Brushed Platinum	32 815 875-06 0010
	Durabronze (23kt Gold)	32 815 875-09 0010
	Dark Chrome	32 815 875-19 0010
	Brushed Durabronze (23kt Gold)	32 815 875-28 0010
	Matte Black	32 815 875-33 0010
	Brushed Bronze	32 815 875-42 0010
	Brushed Champagne (22kt Gold)	32 815 875-46 0010
	Champagne (22kt Gold)	32 815 875-47 0010
	Brushed Chrome	32 815 875-93 0010
	Brushed Dark Platinum	32 815 875-99 0010

Recommended article



Swivel limiter set -

12 820 970 90

Recommended article



AIR SWITCH operating button, trim parts only - Platinum

10 713 970-08

Recommended article



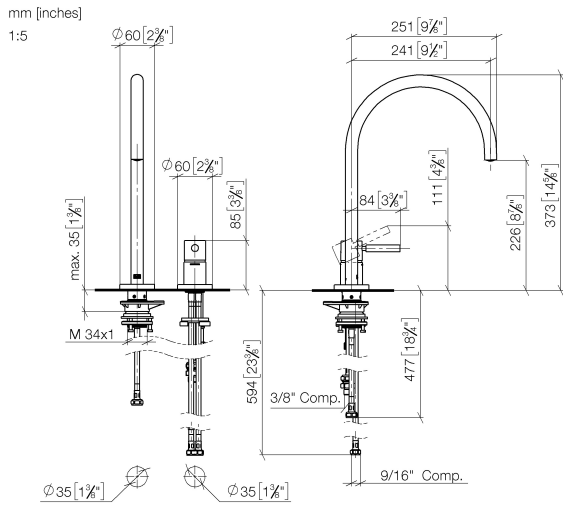
Soap dispenser with flange - Platinum

82 444 970-08

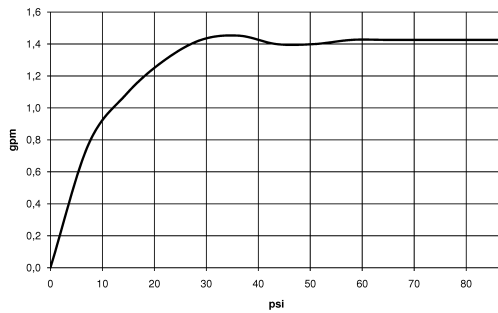


TARA ULTRA Two-hole mixer with individual flanges - Platinum

32 815 875 Product version from 10/1/2024



Flow rate chart



Codes & Standards

ASME A112.18.1	California Energy Commission (CEC)	cUPC	NSF372
NSF61			



TARA ULTRA Two-hole mixer with individual flanges - Platinum

32 815 875 Product version from 10/1/2024

Certificates

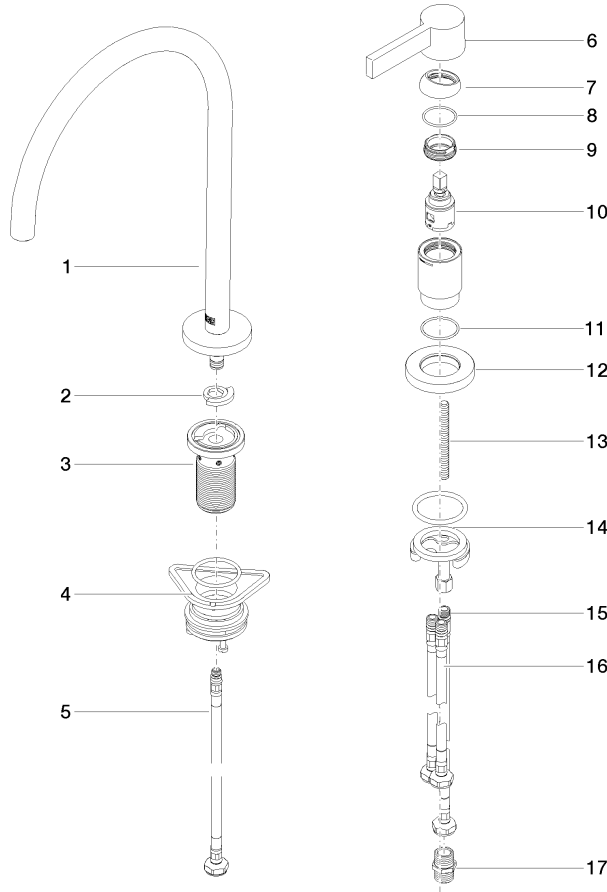
IAPMO_6397

IAPMO_N-4976

IAPMO_4976 (

TARA ULTRA Two-hole mixer with individual flanges - Platinum

32 815 875 Product version from 10/1/2024



Spare parts list

Number	Item Number	Designation	Number of units	Lead time
1	90 28 22 291 00-08	spout	1	-
Spare part can no longer be ordered, please order the replacement item				
2	12 820 970 90	Swivel limiter set -	1	2
3	90 30 01 299 00 90	shaft	1	2
4	04 23 10 044 08 90	fixing set	1	2
5	04 30 04 100 00 90	hose	1	2
6	90 20 87 003 00-08	handle	1	-
Spare part can no longer be ordered, please order the replacement item				
7	09 28 30 026-08	cover	1	40
8	09 14 10 091 90	seal	1	2
9	09 24 04 266 90	nut	1	2
10	90 15 05 042 00 90	cartridge	1	2
11	09 14 10 110 90	seal	1	2
12	09 27 97 040-08	rosette	1	40
13	09 31 11 011 90	pin	1	2
14	04 30 11 085 97 90	fixing set	1	2
15	04 30 04 104 00 90	hose	1	2
16	04 30 04 105 00 90	hose	2	2
17	90 24 03 250 00 90	nipple	1	2