



## CYO Single-lever lavatory mixer with drain - Chrome

33 500 811


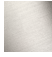





- 5-5/8" Projection
- US drain with overflow
- Rigid spout
- Rectangular aerated stream
- Total height 7-1/8"
- Height to aerator/spout outlet 5"
- 1-3/8" hole diameter
- Water flow rate limited to max. 1.2 gpm
- 2 x pressure hose with 3/8" compression fitting
- lead-free
- This product can help a building meet the requirements of Green Building Rating Systems, e.g. LEED®, BREEAM®, DGNB

Suitable only for basins with overflow.

Distance from center of tap hole to wall min. 55 mm (2-11/64") or to front edge of basin min. 40 mm (1-37/64").

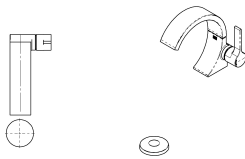
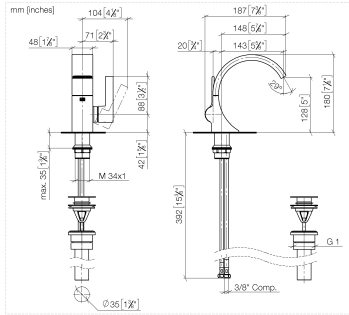
(ADA)

	Chrome	33 500 811-00 0010
	Brushed Platinum	33 500 811-06 0010
	Dark Chrome	33 500 811-19 0010
	Brushed Durabronze (23kt Gold)	33 500 811-28 0010
	Brushed Dark Platinum	33 500 811-99 0010



## CYO Single-lever lavatory mixer with drain - Chrome

33 500 811



### Codes & Standards

ASME A112.18.1	California Energy Commission (CEC)	cUPC	EPA WaterSense
NSF372	NSF61	Water Sense	WaterSense

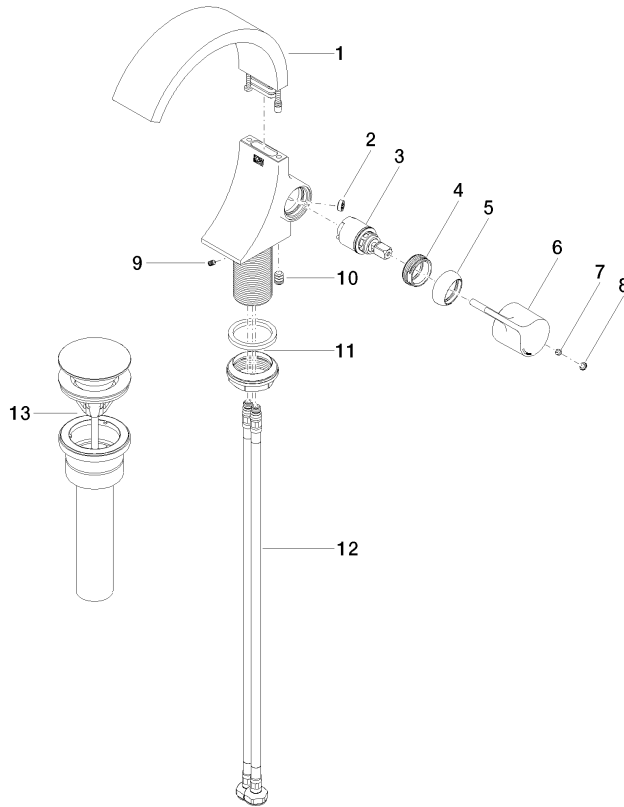


### Certificates

IAPMO\_8834      IAPMO\_N-4976      IAPMO\_6397      IAPMO\_4976 (

**CYO Single-lever lavatory mixer with drain - Chrome**

33 500 811



**Spare parts list**

Number	Item Number	Designation	Number of units	Lead time
1	90 11 70 012 01-00	spout	1	10
2	09 23 01 172 90	flow reducer	1	2
3	90 15 05 044 00 90	cartridge	1	2
4	09 24 04 266 90	nut	1	2
5	09 28 30 021-00	cover	1	10
6	09 20 80 024-00	handle	1	10
7	90 31 11 030 00 90	pin	1	2
8	90 31 20 087 00-00	plug	1	10
9	09 31 11 008 90	pin	1	2
10	90 31 20 129 00 90	plug	1	2
11	04 23 10 044 07 90	fixing set	1	2
12	04 30 04 102 00 90	Flexible supply line 3/8" -	2	2
13	10 125 970-00 0010	Umbrella drain 1 1/4" - Chrome	1	2