



META Single-lever lavatory mixer with drain - Dark Chrome

33 501 660



- 4-7/8" Projection
- US drain with overflow
- Rigid spout
- Round aerated stream
- Total height 5-1/4"
- Height to aerator/spout outlet 2"
- 1-3/8" hole diameter
- 2x 3/8" flexible supply lines
- 2 x pressure hose with 3/8" compression fitting
- Water flow rate limited to max. 1.2 gpm
- lead-free
- This product can help a building meet the requirements of Green Building Rating Systems, e.g. LEED®, BREEAM®, DGNB

(ADA)

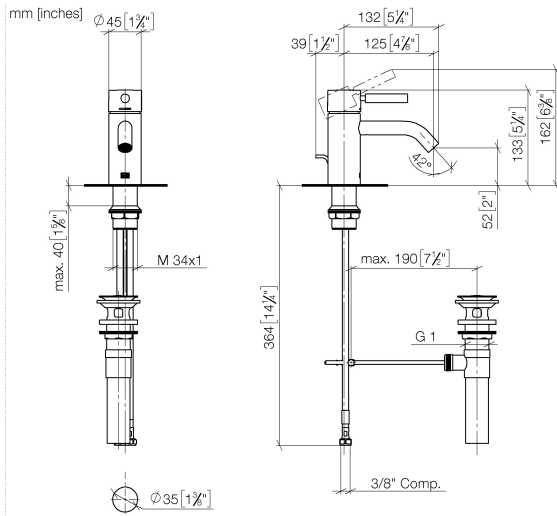
Suitable only for basins with overflow.

	Dark Chrome	33 501 660-19 0010
	Chrome	33 501 660-00 0010
	Brushed Platinum	33 501 660-06 0010
	Light gold	33 501 660-26 0010
	Brushed Light Gold	33 501 660-27 0010
	Matte Black	33 501 660-33 0010
	Brushed Bronze	33 501 660-42 0010
	Brushed Champagne (22kt Gold)	33 501 660-46 0010
	Champagne (22kt Gold)	33 501 660-47 0010
	Brushed Chrome	33 501 660-93 0010
	Brushed Dark Platinum	33 501 660-99 0010



META Single-lever lavatory mixer with drain - Dark Chrome

33 501 660



Codes & Standards

ADA	ASME A112.18.1	ASME A112.18.1/CSA B125.1	California Energy Commission (CEC)
cUPC	NSF/ANSI 372	NSF/ANSI/CAN 61	NSF372
NSF61			

Certificates

IAPMO_N-4976 IAPMO_6397 IAPMO_4976 (

META Single-lever lavatory mixer with drain - Dark Chrome

33 501 660

Parts for other
finishes can be found
here: [Chrome](#)

