



META Single-lever lavatory mixer with drain - Brushed Dark Platinum

33 501 660 Product version from 1/23/2020



- 4-7/8" Projection
- US drain with overflow
- Rigid spout
- Round aerated stream
- Total height 5-1/4"
- Height to aerator/spout outlet 2"
- 1-3/8" hole diameter
- 2x 3/8" flexible supply lines
- 2 x pressure hose with 3/8" compression fitting
- Water flow rate limited to max. 1.2 gpm
- lead-free
- This product can help a building meet the requirements of Green Building Rating Systems, e.g. LEED®, BREEAM®, DGNB

(ADA)

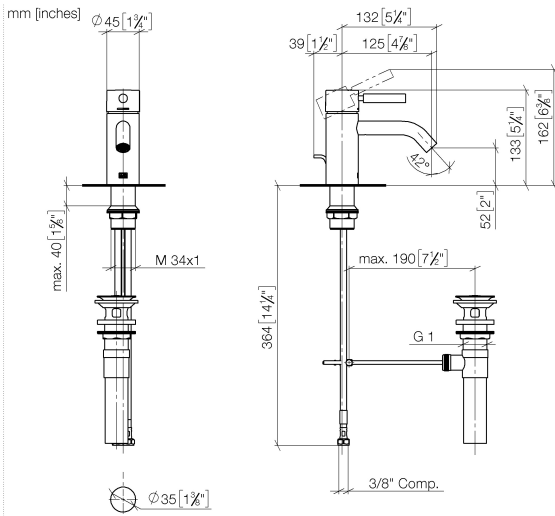
Suitable only for basins with overflow.

	Brushed Dark Platinum	33 501 660-99 0010
	Chrome	33 501 660-00 0010
	Brushed Platinum	33 501 660-06 0010
	Dark Chrome	33 501 660-19 0010
	Light gold	33 501 660-26 0010
	Brushed Light Gold	33 501 660-27 0010
	Matte Black	33 501 660-33 0010
	Brushed Bronze	33 501 660-42 0010
	Brushed Champagne (22kt Gold)	33 501 660-46 0010
	Champagne (22kt Gold)	33 501 660-47 0010
	Brushed Chrome	33 501 660-93 0010



META Single-lever lavatory mixer with drain - Brushed Dark Platinum

33 501 660 Product version from 1/23/2020



Codes & Standards

ADA	ASME A112.18.1/CSA B125.1	California Energy Commission (CEC)	EPA WaterSense
NSF/ANSI 372	NSF/ANSI/CAN 61	NSF372	NSF61
Water Sense	WaterSense		

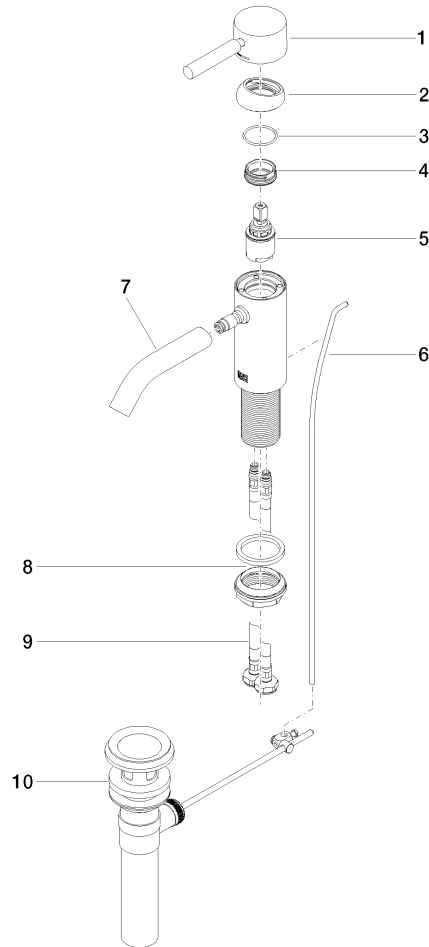
Certificates

IAPMO_8834 IAPMO_N-4976 IAPMO_6397

META Single-lever lavatory mixer with drain - Brushed Dark Platinum

33 501 660 Product version from 1/23/2020

Parts for other finishes can be found here: [Chrome](#)



Spare parts list

Number	Item Number	Designation	Number of units	Lead time
1	90 20 66 002 00-99	handle	1	20
2	09 28 30 041-99	cover	1	20
3	09 14 10 091 90	seal	1	2
4	09 24 04 266 90	nut	1	2
5	90 15 05 044 00 90	cartridge	1	2
6	09 31 09 110-99	pull-rod	1	20
7	90 11 06 206 01-99	spout	1	20
8	04 23 10 044 07 90	fixing set	1	2
9	04 30 04 102 00 90	Flexible supply line 3/8" -	2	2
10	90 11 01 023 00-99	pop-up waste	1	20