



## META Single-lever lavatory mixer with drain - Dark Chrome

33 502 660



- 5-3/8" Projection
- US drain with overflow
- Rigid spout
- Round aerated stream
- Total height 6-1/4"
- Height to aerator/spout outlet 3"
- 1-3/8" hole diameter
- 2 x pressure hose with 3/8" compression fitting
- Water flow rate limited to max. 1.2 gpm
- lead-free
- This product can help a building meet the requirements of Green Building Rating Systems, e.g. LEED®, BREEAM®, DGNB

(ADA)

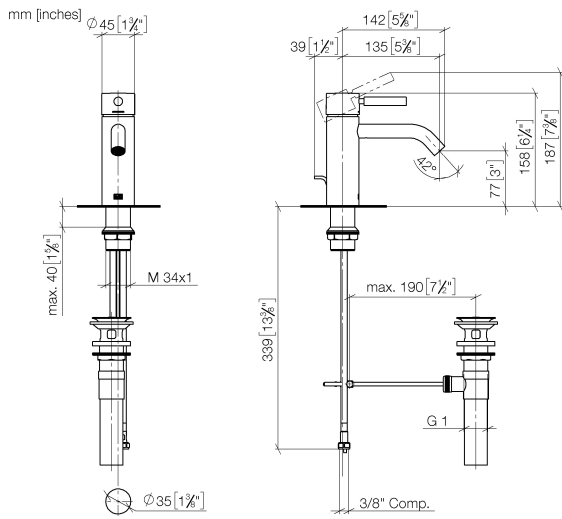
Suitable only for basins with overflow.

	Dark Chrome	33 502 660-19 0010
	Chrome	33 502 660-00 0010
	Brushed Platinum	33 502 660-06 0010
	Light gold	33 502 660-26 0010
	Brushed Light Gold	33 502 660-27 0010
	Matte Black	33 502 660-33 0010
	Brushed Bronze	33 502 660-42 0010
	Brushed Champagne (22kt Gold)	33 502 660-46 0010
	Champagne (22kt Gold)	33 502 660-47 0010
	Brushed Chrome	33 502 660-93 0010
	Brushed Dark Platinum	33 502 660-99 0010



## META Single-lever lavatory mixer with drain - Dark Chrome

33 502 660



### Codes & Standards

ADA	ASME A112.18.1	ASME A112.18.1/CSA B125.1	California Energy Commission (CEC)
cUPC	NSF/ANSI 372	NSF/ANSI/CAN 61	NSF372
NSF61			

### Certificates

IAPMO\_N-4976    IAPMO\_6397    IAPMO\_4976 (

## META Single-lever lavatory mixer with drain - Dark Chrome

33 502 660

Parts for other  
finishes can be found  
here: [Chrome](#)

