



## META Single-lever lavatory mixer with drain - Matte Black

33 504 660 Product version from 5/1/2022



- 4-7/8" Projection
- With linear structure
- Rigid spout
- Round aerated stream
- Total height 5-3/8"
- Height to aerator/spout outlet 2"
- 1-3/8" hole diameter
- 2x 3/8" flexible supply lines
- Water flow rate limited to max. 1.2 gpm
- lead-free
- This product can help a building meet the requirements of Green Building Rating Systems, e.g. LEED®, BREEAM®, DGNB

Suitable only for basins with overflow.

(ADA)

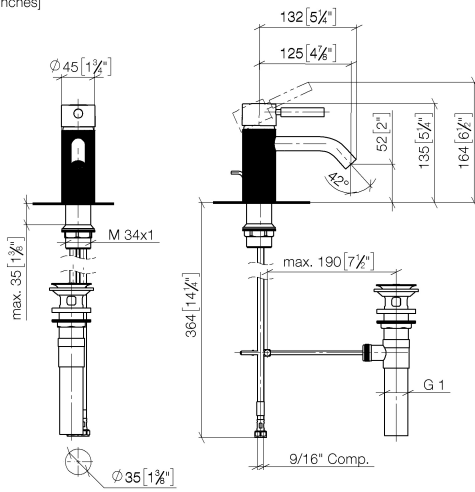
	Matte Black	33 504 660-33 0010
	Chrome	33 504 660-00 0010
	Brushed Platinum	33 504 660-06 0010
	Light gold	33 504 660-26 0010
	Brushed Light Gold	33 504 660-27 0010
	Brushed Bronze	33 504 660-42 0010
	Brushed Champagne (22kt Gold)	33 504 660-46 0010
	Champagne (22kt Gold)	33 504 660-47 0010
	Brushed Chrome	33 504 660-93 0010
	Brushed Dark Platinum	33 504 660-99 0010



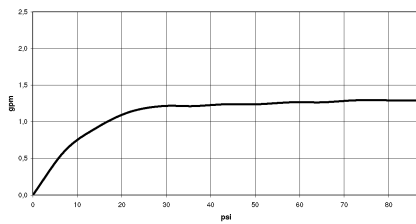
# META Single-lever lavatory mixer with drain - Matte Black

33 504 660 Product version from 5/1/2022

mm [inches]



## Flow rate chart



## Codes & Standards

ASME A112.18.1	California Energy Commission (CEC)	cUPC	EPA WaterSense
NSF372	NSF61	Water Sense	WaterSense





## META Single-lever lavatory mixer with drain - Matte Black

---

33 504 660 Product version from 5/1/2022

### Certificates

---

IAPMO\_8834

IAPMO\_N-4976

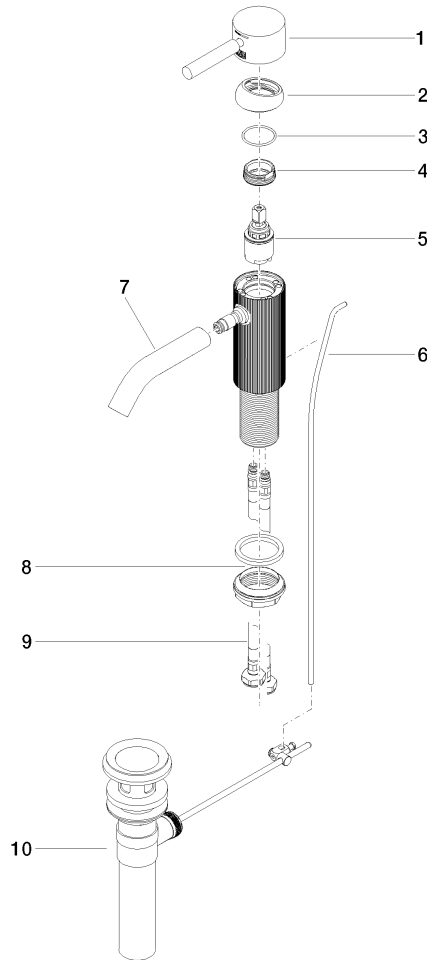
IAPMO\_6397

IAPMO\_4976 (

## META Single-lever lavatory mixer with drain - Matte Black

33 504 660 Product version from 5/1/2022

Parts for other finishes can be found here: [Chrome](#)



### Spare parts list

Number	Item Number	Designation	Number of units	Lead time
1	90 20 66 029 00-33	handle	1	30
2	09 28 30 041-33	cover	1	30
3	09 14 10 091 90	seal	1	2
4	09 24 04 266 90	nut	1	2
5	90 15 05 044 00 90	cartridge	1	2
6	09 31 09 110-33	pull-rod	1	30
7	90 11 06 206 01-33	spout	1	30
8	04 23 10 044 07 90	fixing set	1	2
9	04 30 04 102 00 90	Flexible supply line 3/8" -	2	2
10	90 11 01 023 00-33	pop-up waste	1	30