



META Single-lever lavatory mixer with drain - Light gold

33 505 660 Product version from 5/1/2022



- 4-7/8" Projection
- With faceted structure
- Rigid spout
- Round aerated stream
- Total height 5-3/8"
- Height to aerator/spout outlet 2"
- 1-3/8" hole diameter
- 2x 3/8" flexible supply lines
- Water flow rate limited to max. 1.2 gpm
- lead-free
- This product can help a building meet the requirements of Green Building Rating Systems, e.g. LEED®, BREEAM®, DGNB

Suitable only for basins with overflow.

(ADA)

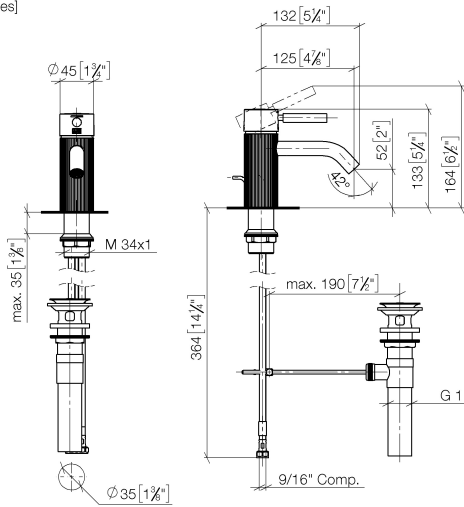
	Light gold	33 505 660-26 0010
	Chrome	33 505 660-00 0010
	Brushed Platinum	33 505 660-06 0010
	Dark Chrome	33 505 660-19 0010
	Brushed Light Gold	33 505 660-27 0010
	Matte Black	33 505 660-33 0010
	Brushed Bronze	33 505 660-42 0010
	Brushed Champagne (22kt Gold)	33 505 660-46 0010
	Champagne (22kt Gold)	33 505 660-47 0010
	Brushed Chrome	33 505 660-93 0010
	Brushed Dark Platinum	33 505 660-99 0010



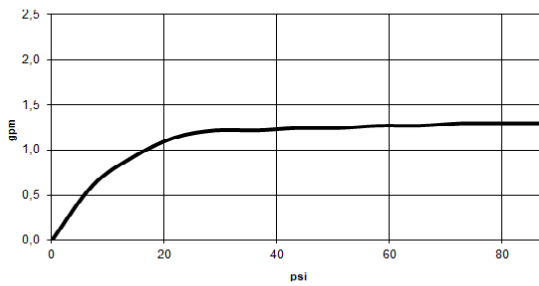
META Single-lever lavatory mixer with drain - Light gold

33 505 660 Product version from 5/1/2022

mm [inches]



Flow rate chart



Codes & Standards

California Energy
Commission
(CEC)

NSF372

NSF61



META Single-lever lavatory mixer with drain - Light gold

33 505 660 Product version from 5/1/2022

Certificates

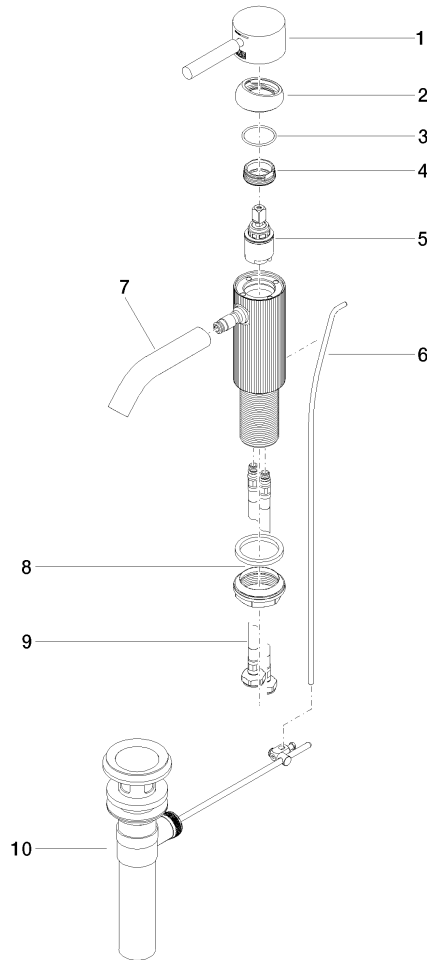
IAPMO_N-4976

IAPMO_6397

META Single-lever lavatory mixer with drain - Light gold

33 505 660 Product version from 5/1/2022

Parts for other finishes can be found here: [Chrome](#)



Spare parts list

Number	Item Number	Designation	Number of units	Lead time
1	90 20 66 029 00-26	handle	1	30
2	09 28 30 041-26	cover	1	60
3	09 14 10 091 90	seal	1	2
4	09 24 04 266 90	nut	1	2
5	90 15 05 044 00 90	cartridge	1	2
6	09 31 09 110-26	pull-rod	1	60
7	90 11 06 206 01-26	spout	1	30
8	04 23 10 044 07 90	fixing set	1	2
9	04 30 04 102 00 90	Flexible supply line 3/8" -	2	2
10	90 11 01 023 00-26	pop-up waste	1	30