



## VAIA Single-lever lavatory mixer with drain - Brushed Platinum

33 505 809



- 4-1/8" Projection
- Rigid spout
- Round aerated stream
- Total height 5-1/2"
- Height to aerator/spout outlet 2-1/4"
- 1-3/8" hole diameter
- 2 x pressure hose with 3/8" compression fitting
- Water flow rate limited to max. 1.2 gpm
- lead-free
- This product can help a building meet the requirements of Green Building Rating Systems, e.g. LEED®, BREEAM®, DGNB

Suitable only for basins with overflow.  
(ADA)

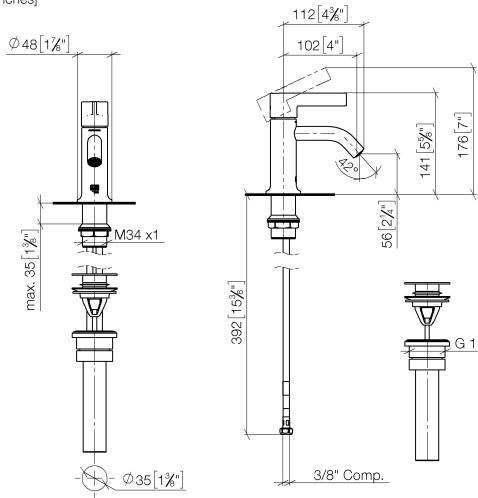
|   |                                     |                    |
|---|-------------------------------------|--------------------|
|  | Brushed Platinum                    | 33 505 809-06 0010 |
|  | Chrome                              | 33 505 809-00 0010 |
|  | Platinum                            | 33 505 809-08 0010 |
|  | Brushed Durabronze<br>(23kt Gold)   | 33 505 809-28 0010 |
|  | Brushed Bronze                      | 33 505 809-42 0010 |
|  | Brushed<br>Champagne (22kt<br>Gold) | 33 505 809-46 0010 |
|  | Champagne (22kt<br>Gold)            | 33 505 809-47 0010 |
|  | Brushed Dark<br>Platinum            | 33 505 809-99 0010 |



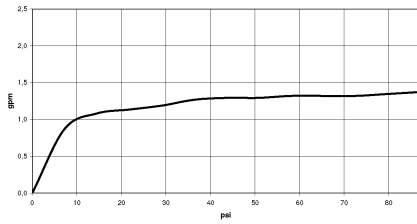
## VAIA Single-lever lavatory mixer with drain - Brushed Platinum

33 505 809

mm [inches]



### Flow rate chart



### Codes & Standards

ASME A112.18.1      California Energy Commission (CEC)      cUPC      EPA WaterSense

NSF372

NSF61

WaterSense





## VAIA Single-lever lavatory mixer with drain - Brushed Platinum

---

33 505 809

### Certificates

---

IAPMO\_8834

IAPMO\_6397

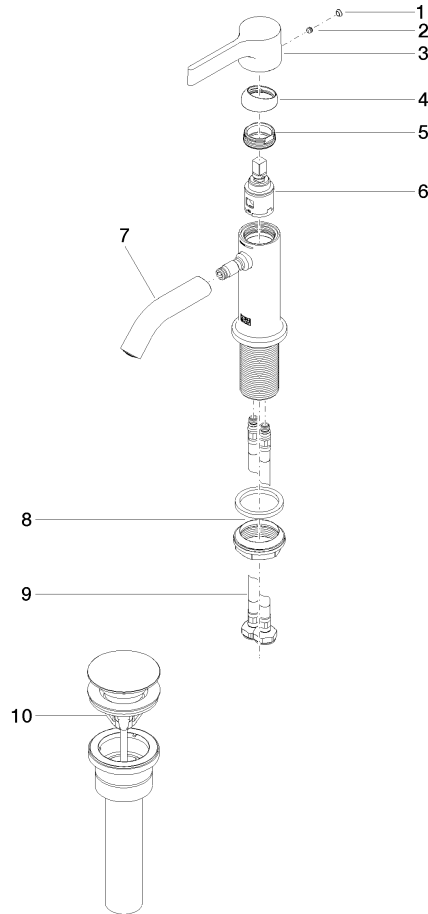
IAPMO\_N-4976

IAPMO\_4976 (

**VAIA Single-lever lavatory mixer with drain - Brushed Platinum**

33 505 809

Parts for other finishes can be found here: [Chrome](#)



**Spare parts list**

| Number | Item Number        | Designation                              | Number of units | Lead time |
|--------|--------------------|--|-----------------|-----------|
| 1      | 90 31 20 087 00-06 | plug                                     | 1               | 10        |
| 2      | 90 31 11 063 00 90 | pin                                      | 1               | 2         |
| 3      | 09 20 80 020-06    | handle                                   | 1               | 10        |
| 4      | 09 28 30 021-06    | cover                                    | 1               | 10        |
| 5      | 09 24 04 266 90    | nut                                      | 1               | 2         |
| 6      | 90 15 05 042 00 90 | cartridge                                | 1               | 2         |
| 7      | 90 11 06 215 01-06 | spout                                    | 1               | 10        |
| 8      | 04 23 10 044 07 90 | fixing set                               | 1               | 2         |
| 9      | 04 30 04 102 00 90 | Flexible supply line 3/8" -              | 2               | 2         |
| 10     | 10 125 970-06 0010 | Umbrella drain 1 1/4" - Brushed Platinum | 1               | 2         |