



VAIA Single-lever lavatory mixer with drain - Brushed Bronze

33 505 809



- 4-1/8" Projection
- Rigid spout
- Round aerated stream
- Total height 5-1/2"
- Height to aerator/spout outlet 2-1/4"
- 1-3/8" hole diameter
- 2 x pressure hose with 3/8" compression fitting
- Water flow rate limited to max. 1.2 gpm
- lead-free
- This product can help a building meet the requirements of Green Building Rating Systems, e.g. LEED®, BREEAM®, DGNB

Suitable only for basins with overflow.
(ADA)

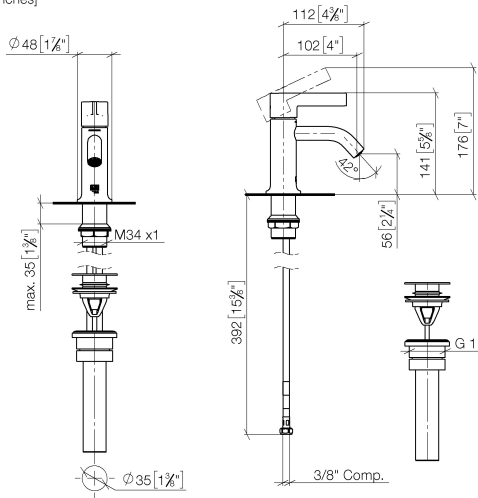
	Brushed Bronze	33 505 809-42 0010
	Chrome	33 505 809-00 0010
	Brushed Platinum	33 505 809-06 0010
	Platinum	33 505 809-08 0010
	Brushed Durabronze (23kt Gold)	33 505 809-28 0010
	Brushed Champagne (22kt Gold)	33 505 809-46 0010
	Champagne (22kt Gold)	33 505 809-47 0010
	Brushed Dark Platinum	33 505 809-99 0010



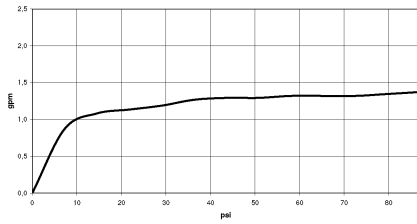
VAIA Single-lever lavatory mixer with drain - Brushed Bronze

33 505 809

mm [inches]



Flow rate chart



Codes & Standards

ASME A112.18.1

California Energy
Commission
(CEC)

cUPC

NSF372

NSF61



VAIA Single-lever lavatory mixer with drain - Brushed Bronze

33 505 809

Certificates

IAPMO_6397

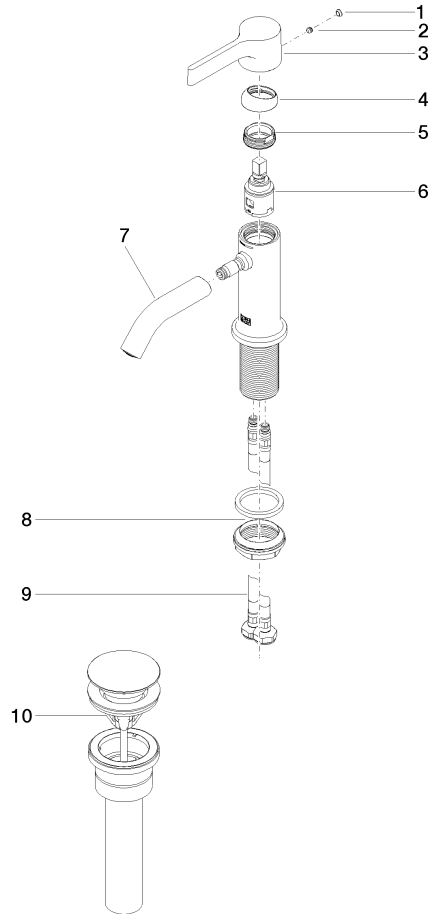
IAPMO_N-4976

IAPMO_4976 (

VAIA Single-lever lavatory mixer with drain - Brushed Bronze

33 505 809

Parts for other finishes can be found here: [Chrome](#)



Spare parts list

Number	Item Number	Designation	Number of units	Lead time
1	90 31 20 087 00-42	plug	1	30
2	90 31 11 063 00 90	pin	1	2
3	09 20 80 020-42	handle	1	60
4	09 28 30 021-42	cover	1	60
5	09 24 04 266 90	nut	1	2
6	90 15 05 042 00 90	cartridge	1	2
7	90 11 06 215 01-42	spout	1	30
8	04 23 10 044 07 90	fixing set	1	2
9	04 30 04 102 00 90	Flexible supply line 3/8" -	2	2
10	10 125 970-42 0010	Umbrella drain 1 1/4" - Brushed Bronze	1	30