





LULU Single-lever lavatory mixer without drain - Brushed Platinum

33 521 710 Product version from 5/10/2021



- 6-1/8" Projection
- Rigid spout
- Round aerated stream
- Total height 4-1/2"
- Height to aerator/spout outlet 3-1/2"
- 1-3/8" hole diameter
- 2 x pressure hose with 3/8" compression fitting
- Water flow rate limited to max. 1.2 gpm
- lead-free
- This product can help a building meet the requirements of Green Building Rating Systems, e.g. LEED®, BREEAM®, DGNB

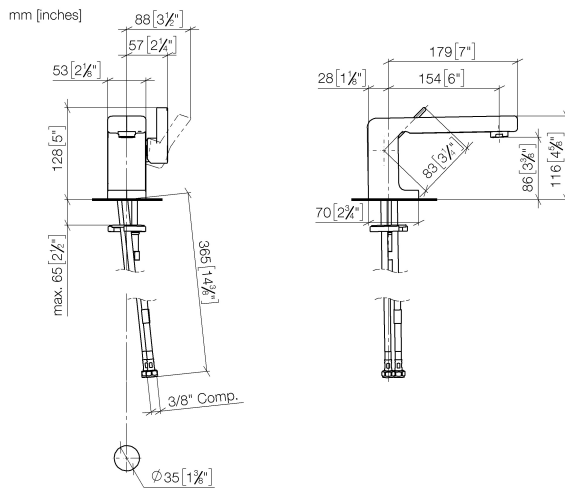
(ADA)

	Brushed Platinum	33 521 710-06 0010
	Chrome	33 521 710-00 0010



LULU Single-lever lavatory mixer without drain - Brushed Platinum

33 521 710 Product version from 5/10/2021



Codes & Standards

ADA	ASME A112.18.1	ASME A112.18.1/CSA B125.1	California Energy Commission (CEC)
cUPC	EPA WaterSense	NSF/ANSI 372	NSF/ANSI/CAN 61
NSF372	NSF61	Water Sense	WaterSense



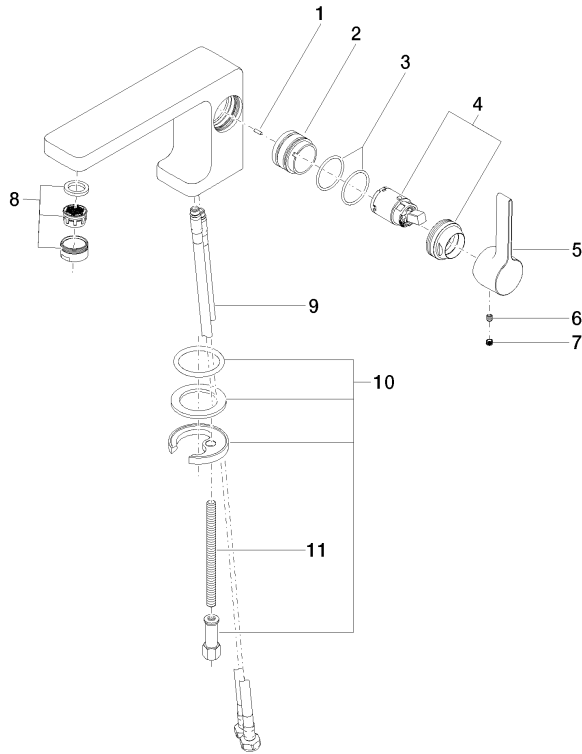
Certificates

IAPMO_N-4976 IAPMO_6397 IAPMO_8834 IAPMO_4976 (

LULU Single-lever lavatory mixer without drain - Brushed Platinum

33 521 710 Product version from 5/10/2021

Parts for other finishes can be found here: [Chrome](#)



Spare parts list

Number	Item Number	Designation	Number of units	Lead time
1	09 31 11 111 90	pin	1	2
2	09 18 40 095 10 90	sleeve	1	2
3	09 14 10 137 90	seal	2	2
4	90 15 05 041 00-06	cartridge	1	10
5	09 20 71 040-06	handle	1	10
6	90 31 11 030 00 90	pin	1	2
7	90 31 20 109 00 90	plug	1	2
8	90 23 01 118 04-06	aerator	1	10
9	04 30 04 102 00 90	Flexible supply line 3/8" -	2	2
10	04 30 11 038 75 90	fixing set	1	2
11	09 31 11 012 90	pin	1	2