










## LISSÉ Single-lever lavatory mixer without drain - Brushed Light Gold

33 521 845 Product version from 5/3/2021



- 5-1/8" Projection
- Rigid spout
- Round aerated stream
- Total height 5"
- Height to aerator/spout outlet 3"
- 1-3/8" hole diameter
- 2 x pressure hose with 3/8" compression fitting
- Water flow rate limited to max. 1.2 gpm
- lead-free
- This product can help a building meet the requirements of Green Building Rating Systems, e.g. LEED®, BREEAM®, DGNB

(ADA)

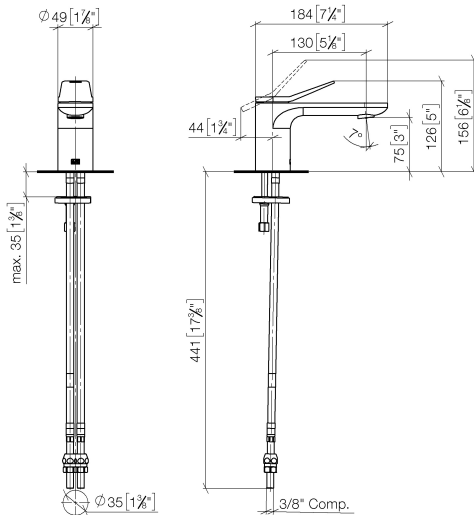
|   |                       |                    |
|---|-----------------------|--------------------|
|  | Brushed Light Gold    | 33 521 845-27 0010 |
|  | Chrome                | 33 521 845-00 0010 |
|  | Brushed Platinum      | 33 521 845-06 0010 |
|  | Dark Chrome           | 33 521 845-19 0010 |
|  | Matte Black           | 33 521 845-33 0010 |
|  | Brushed Chrome        | 33 521 845-93 0010 |
|  | Brushed Dark Platinum | 33 521 845-99 0010 |



## LISSÉ Single-lever lavatory mixer without drain - Brushed Light Gold

33 521 845 Product version from 5/3/2021

mm [inches]



### Codes & Standards

ADA

ASME  
A112.18.1/CSA  
B125.1

California Energy  
Commission  
(CEC)

NSF/ANSI 372

NSF/ANSI/CAN  
61

NSF372

NSF61

### Certificates

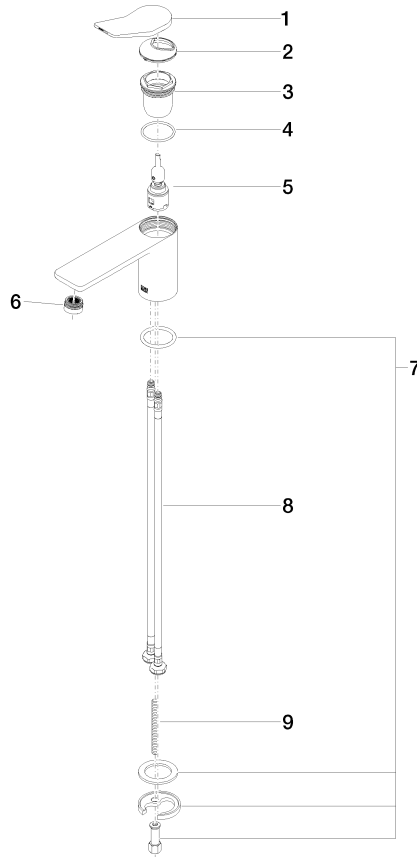
IAPMO\_N-4976

IAPMO\_6397

**LISSÉ Single-lever lavatory mixer without drain - Brushed Light Gold**

33 521 845 Product version from 5/3/2021

Parts for other finishes can be found here: [Chrome](#)



**Spare parts list**

| Number | Item Number        | Designation                 | Number of units | Lead time |
|--------|--------------------|-----------------------------|-----------------|-----------|
| 1      | 90 20 84 020 00-27 | handle                      | 1               | 30        |
| 2      | 09 28 30 034 90    | cover                       | 1               | 2         |
| 3      | 09 23 10 123 90    | nut                         | 1               | 2         |
| 4      | 09 14 10 038 90    | seal                        | 1               | 2         |
| 5      | 90 15 05 042 01 90 | cartridge                   | 1               | 2         |
| 6      | 90 23 01 161 03-27 | aerator                     | 1               | 30        |
| 7      | 04 30 11 038 75 90 | fixing set                  | 1               | 2         |
| 8      | 04 30 04 102 00 90 | Flexible supply line 3/8" - | 2               | 2         |
| 9      | 09 31 11 011 90    | pin                         | 1               | 2         |