



## META Single-lever lavatory mixer without drain - Chrome

33 522 660 Product version from 1/23/2020



- 5-3/8" Projection
- Rigid spout
- Round aerated stream
- Total height 6-1/4"
- Height to aerator/spout outlet 3"
- 1-3/8" hole diameter
- 2 x pressure hose with 3/8" compression fitting
- Water flow rate limited to max. 1.2 gpm
- lead-free
- This product can help a building meet the requirements of Green Building Rating Systems, e.g. LEED®, BREEAM®, DGNB

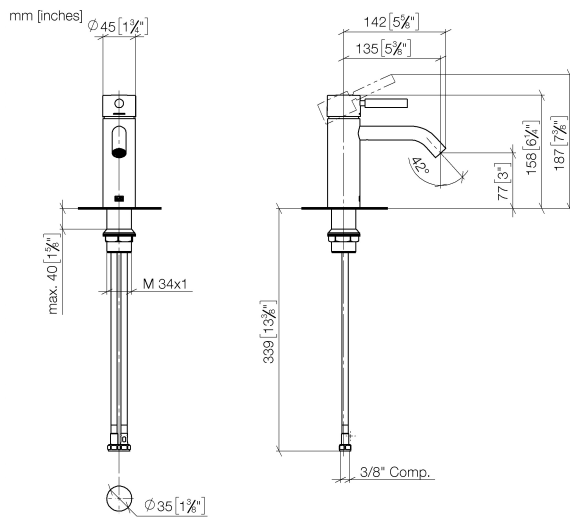
(ADA)

	Chrome	33 522 660-00 0010
	Brushed Platinum	33 522 660-06 0010
	Dark Chrome	33 522 660-19 0010
	Light gold	33 522 660-26 0010
	Brushed Light Gold	33 522 660-27 0010
	Matte Black	33 522 660-33 0010
	Brushed Bronze	33 522 660-42 0010
	Brushed Champagne (22kt Gold)	33 522 660-46 0010
	Champagne (22kt Gold)	33 522 660-47 0010
	Brushed Chrome	33 522 660-93 0010
	Brushed Dark Platinum	33 522 660-99 0010



## META Single-lever lavatory mixer without drain - Chrome

33 522 660 Product version from 1/23/2020



### Codes & Standards

ADA	ASME A112.18.1	ASME A112.18.1/CSA B125.1	California Energy Commission (CEC)
cUPC	EPA WaterSense	NSF/ANSI 372	NSF/ANSI/CAN 61
NSF372	NSF61	Water Sense	WaterSense

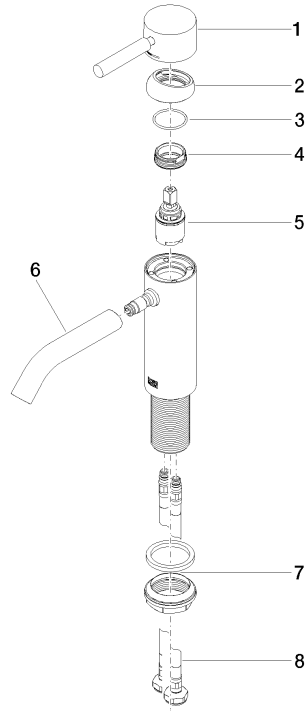


### Certificates

IAPMO\_N-4976 IAPMO\_6397 IAPMO\_8834 IAPMO\_4976 (

**META Single-lever lavatory mixer without drain - Chrome**

33 522 660 Product version from 1/23/2020



**Spare parts list**

Number	Item Number	Designation	Number of units	Lead time
1	90 20 66 002 00-00	handle	1	10
2	09 28 30 041-00	cover	1	10
3	09 14 10 091 90	seal	1	2
4	09 24 04 266 90	nut	1	2
5	90 15 05 044 00 90	cartridge	1	2
6	90 11 06 207 01-00	spout	1	10
7	04 23 10 044 07 90	fixing set	1	2
8	04 30 04 102 00 90	Flexible supply line 3/8" -	2	2