



## MEM Single-lever lavatory mixer without drain - Platinum

---

33 526 782 Product version from 5/5/2021



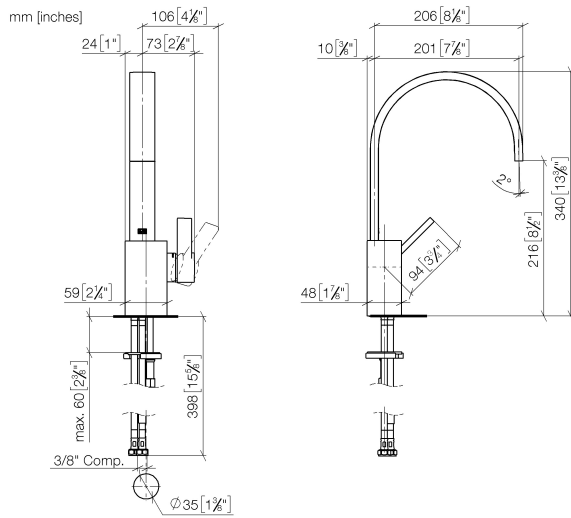
- 7-7/8" Projection
- Rigid spout
- Rectangular aerated stream
- Total height 13-3/8"
- Height to aerator/spout outlet 8-1/2"
- 1-3/8" hole diameter
- 2 x pressure hose with 3/8" compression fitting
- Water flow rate limited to max. 1.2 gpm
- lead-free
- This product can help a building meet the requirements of Green Building Rating Systems, e.g. LEED®, BREEAM®, DGNB

(ADA)



## MEM Single-lever lavatory mixer without drain - Platinum

33 526 782 Product version from 5/5/2021



### Codes & Standards

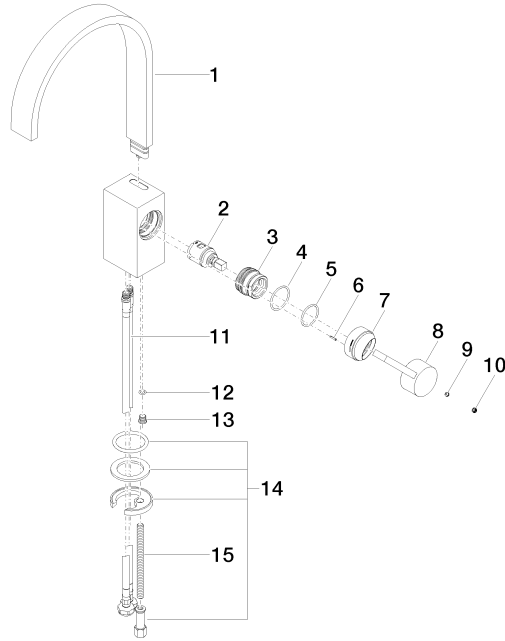
ADA	ASME A112.18.1/CSA B125.1	California Energy Commission (CEC)	NSF/ANSI 372
NSF/ANSI/CAN 61	NSF372	NSF61	

### Certificates

IAPMO\_N-4976 IAPMO\_6397

**MEM Single-lever lavatory mixer without drain - Platinum**

33 526 782 Product version from 5/5/2021



**Spare parts list**

Number	Item Number	Designation	Number of units	Lead time
1	90 28 22 152 02-08	spout	1	40
2	90 15 05 042 00 90	cartridge	1	2
3	09 24 04 288 90	nut	1	2
4	09 14 10 137 90	seal	1	2
5	90 14 10 063 00 90	seal	1	2
6	09 31 11 152 90	pin	1	2
7	09 28 30 028-08	cover	1	40
8	09 20 78 057-08	handle	1	40
9	90 31 11 063 00 90	pin	1	2
10	90 31 20 109 00 90	plug	1	2
11	04 30 04 106 00 90	hose	2	2
12	09 14 10 132 90	seal	1	2
13	09 31 20 027 10-00	plug	1	10
14	04 30 11 038 75 90	fixing set	1	2
15	09 31 11 012 90	pin	1	2