



CL.1 Single-lever lavatory mixer with extended shank without drain - Brushed Platinum

33 534 705 Product version from 3/20/2019



- 10" Projection
- Rigid spout
- Rectangular aerator with 40 individual streams
- Total height 15"
- Height to aerator/spout outlet 14-3/8"
- 1-3/8" hole diameter
- Water flow rate limited to max. 1.1 gpm
- 2 x pressure hose with 3/8" compression fitting
- lead-free
- This product can help a building meet the requirements of Green Building Rating Systems, e.g. LEED®, BREEAM®, DGNB

(ADA)

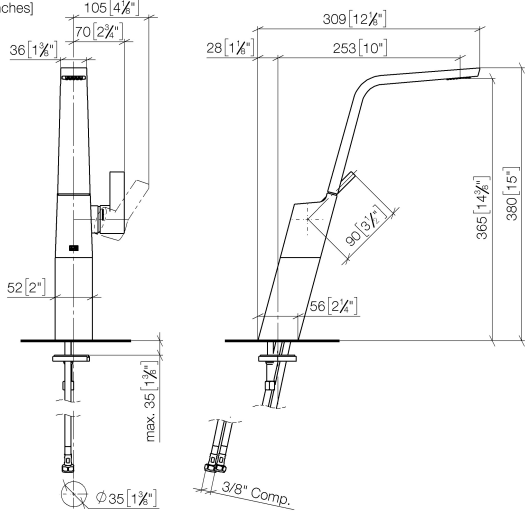
For combination with vessel sinks.



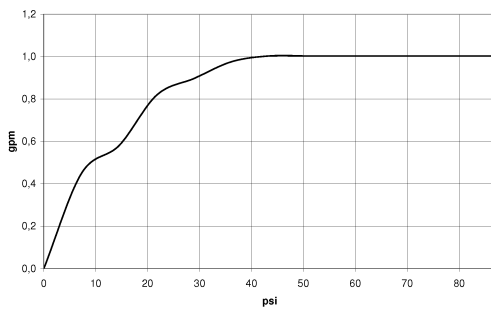
CL.1 Single-lever lavatory mixer with extended shank without drain - Brushed Platinum

33 534 705 Product version from 3/20/2019

mm [inches]



Flow rate chart



Codes & Standards

ADA

ASME
A112.18.1/CSA
B125.1

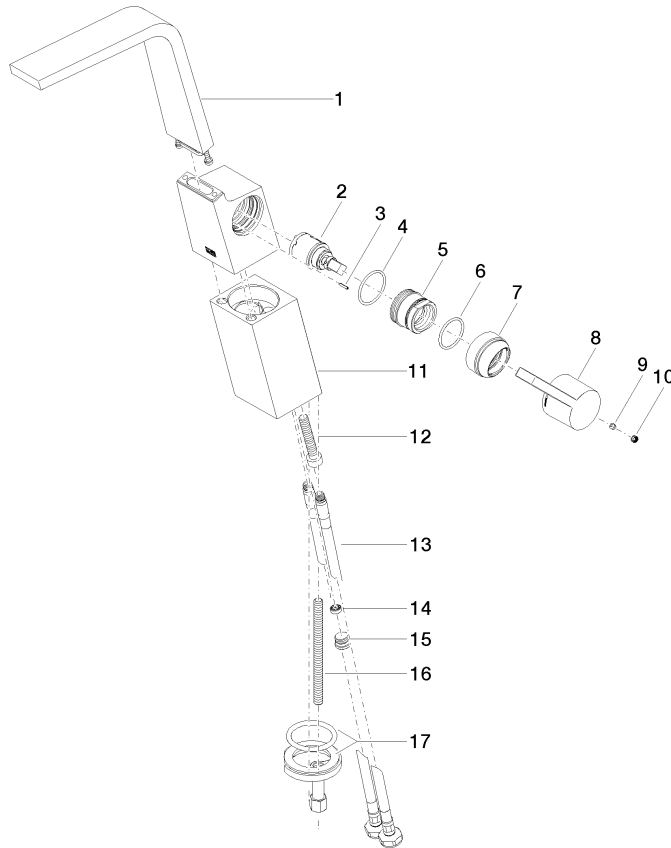
California Energy
Commission
(CEC)

NSF/ANSI 372

NSF/ANSI/CAN
61

**CL.1 Single-lever lavatory mixer with extended shank without drain - Brushed
Platinum**

33 534 705 Product version from 3/20/2019



Spare parts list

Number	Item Number	Designation	Number of units	Lead time
1	90 11 70 009 00-06	spout	1	10
2	90 15 05 042 00 90	cartridge	1	2
3	09 31 11 152 90	pin	1	2
4	09 14 10 137 90	seal	1	2
5	09 24 04 294 90	sleeve	1	2
6	90 14 10 063 00 90	seal	1	2
7	09 28 30 029-06	cover	1	10
8	09 20 67 010-06	handle	1	10
9	90 31 11 030 00 90	pin	1	2
10	90 31 20 109 00 90	plug	1	2
11	09 30 01 132-06	connection	1	10
12	09 30 30 111 90	screw	1	2
13	04 30 04 103 00 90	hose	2	2
14	09 23 01 034 90	flow reducer	1	2
15	04 31 20 039 11 90	plug	1	2
16	09 31 11 012 90	pin	1	2
17	04 30 11 038 75 90	fixing set	1	2