



IMO Single-lever bidet mixer with drain - Brushed Platinum

33 600 671 Product version from 4/1/2024



- 4-7/8" Projection
- US drain with overflow
- Rigid spout
- Ball-joint pivotable through °
- Rectangular aerated stream
- Total height 5-3/8"
- Height to aerator/spout outlet 3-1/2"
- 2 x pressure hose with 3/8" compression fitting
- 1-3/8" hole diameter
- Water flow rate limited to max. 1.2 gpm

(ADA)

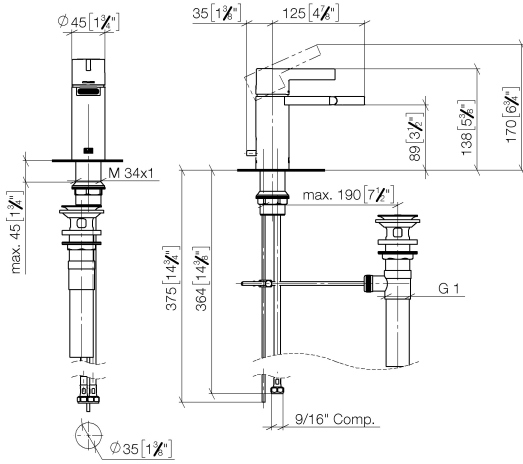
	Brushed Platinum	33 600 671-06 0010
	Chrome	33 600 671-00 0010
	Dark Chrome	33 600 671-19 0010
	Brushed Light Gold	33 600 671-27 0010
	Matte Black	33 600 671-33 0010
	Brushed Chrome	33 600 671-93 0010
	Brushed Dark Platinum	33 600 671-99 0010



IMO Single-lever bidet mixer with drain - Brushed Platinum

33 600 671 Product version from 4/1/2024

mm [inches]



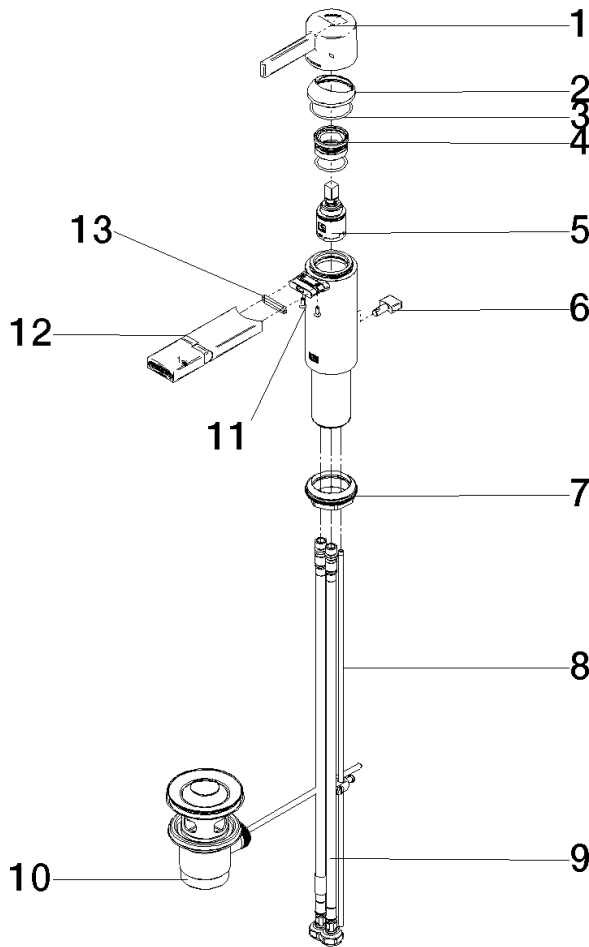
Flow rate chart



IMO Single-lever bidet mixer with drain - Brushed Platinum

33 600 671 Product version from 4/1/2024

Parts for other finishes can be found here: [Chrome](#)



Spare parts list

Number	Item Number	Designation	Number of units	Lead time
1	90 20 67 019 00-06	handle	1	10
2	90 28 30 059 00-06	cover	1	-
Spare part can no longer be ordered, please order the replacement item				
3	09 14 10 102 90	seal	1	2
4	90 23 10 146 00 90	nut	1	2
5	90 15 05 042 00 90	cartridge	1	2
6	09 20 67 002-06	handle	1	10
7	04 23 10 044 07 90	fixing set	1	2
8	09 31 09 080-06	pull-rod	1	10
9	04 30 04 106 00 90	hose	2	2
10	90 11 01 023 00-06	pop-up waste	1	10
11	09 30 30 166 90	screw	2	2
12	90 28 22 423 00-06	spout	1	10
13	09 14 10 017 90	seal	1	2