



LOT Single-lever mixer - Chrome

33 800 680 Product version from 3/1/2023



- 9-1/4" Projection
- Swiveling spout 360°
- Aerated stream
- Total height 11-1/2"
- Height to aerator/spout outlet 10-1/2"
- 1-3/8" hole diameter
- 2 x pressure hose with 3/8" compression fitting
- Water flow rate limited to max. 1.5 gpm
- lead-free
- This product can help a building meet the requirements of Green Building Rating Systems, e.g. LEED®, BREEAM®, DGNB

(ADA)

Combination with side spray set or profi side spray set not possible.

	Chrome	33 800 680-00 0010
	Brushed Platinum	33 800 680-06 0010
	Platinum	33 800 680-08 0010
	Dark Chrome	33 800 680-19 0010
	Brushed Durabronze (23kt Gold)	33 800 680-28 0010
	Brushed Bronze	33 800 680-42 0010
	Brushed Champagne (22kt Gold)	33 800 680-46 0010
	Champagne (22kt Gold)	33 800 680-47 0010
	Brushed Dark Platinum	33 800 680-99 0010

Recommended article

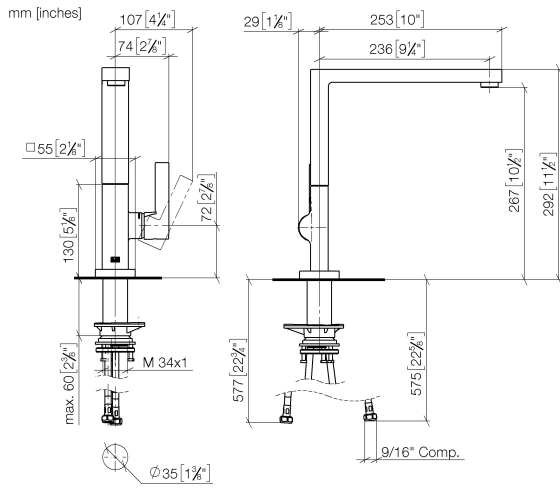
AIR SWITCH operating button, trim parts only - Chrome 10 714 970-00



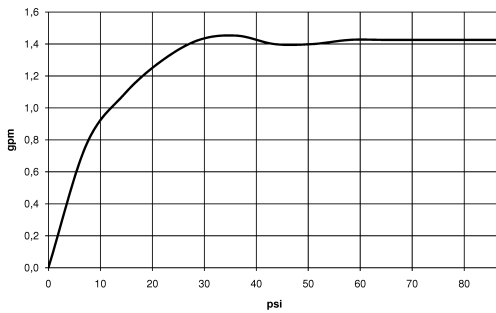


LOT Single-lever mixer - Chrome

33 800 680 Product version from 3/1/2023



Flow rate chart



Codes & Standards

California Energy
Commission
(CEC)

NSF372



LOT Single-lever mixer - Chrome

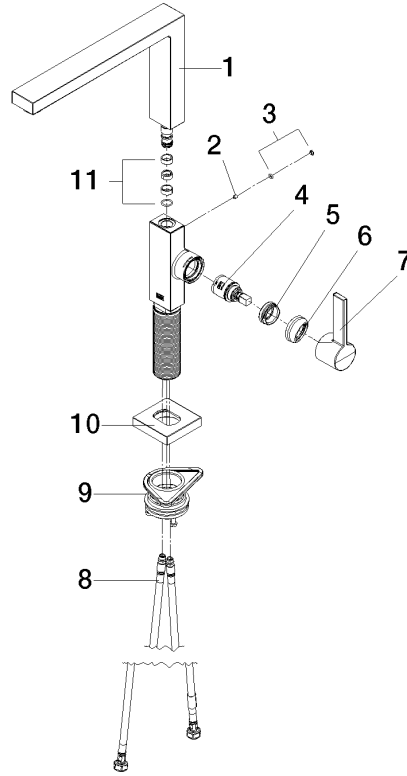
33 800 680 Product version from 3/1/2023

Certificates

IAPMO_6397

LOT Single-lever mixer - Chrome

33 800 680 Product version from 3/1/2023



Spare parts list

Number	Item Number	Designation	Number of units	Lead time
1	90 11 06 218 01-00	spout	1	10
2	09 31 11 044 90	pin	1	2
3	90 31 20 087 00-00	plug	1	10
4	90 15 05 042 00 90	cartridge	1	2
5	09 24 04 266 90	nut	1	2
6	90 28 30 052 00-00	cover	1	10
7	90 20 86 004 00-00	handle	1	10
8	04 30 04 103 00 90	hose	2	2
9	90 30 10 057 00 90	fixing set	1	10
10	90 27 86 004 00-00	rosette	1	10
11	90 28 10 207 00 90	gasket kit	1	2