



## MEM Single-lever mixer - Brushed Champagne (22kt Gold)

33 800 682 Product version from 3/1/2023



- 7-7/8" Projection
- Swiveling spout 360°
- Optional restricted swivel available with swivel limiter set 12 820 970 90
- Aerated stream
- Total height 13-3/8"
- Height to aerator/spout outlet 8-5/8"
- 1-3/8" hole diameter
- 2 x pressure hose with 3/8" compression fitting
- Water flow rate limited to max. 1.5 gpm
- lead-free
- This product can help a building meet the requirements of Green Building Rating Systems, e.g. LEED®, BREEAM®, DGNB

(ADA)

Combination with side spray set or profi side spray set not possible.

	Brushed Champagne (22kt Gold)	33 800 682-46 0010
	Chrome	33 800 682-00 0010
	Brushed Platinum	33 800 682-06 0010
	Platinum	33 800 682-08 0010
	Durabrand (23kt Gold)	33 800 682-09 0010
	Dark Chrome	33 800 682-19 0010
	Brushed Durabrand (23kt Gold)	33 800 682-28 0010
	Matte Black	33 800 682-33 0010
	Champagne (22kt Gold)	33 800 682-47 0010
	Brushed Chrome	33 800 682-93 0010
	Brushed Dark Platinum	33 800 682-99 0010

### Recommended article

	<b>Swivel limiter set -</b>	12 820 970 90
--	-----------------------------	---------------

### Recommended article

	<b>Soap dispenser without flange - Brushed Champagne (22kt Gold)</b>	82 424 970-46
--	--	---------------

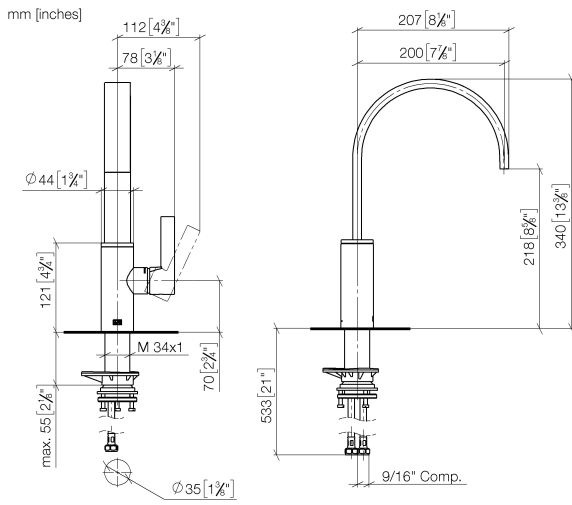
### Recommended article

	<b>AIR SWITCH operating button, trim parts only - Brushed Champagne (22kt Gold)</b>	10 713 970-46
--	---	---------------

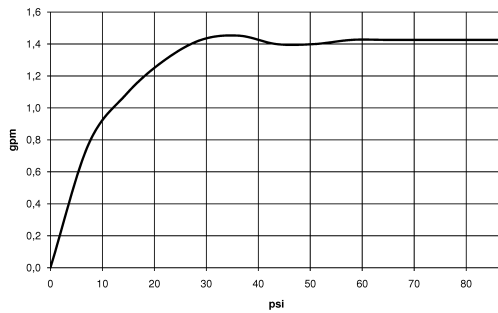


## MEM Single-lever mixer - Brushed Champagne (22kt Gold)

33 800 682 Product version from 3/1/2023



### Flow rate chart



### Codes & Standards

California Energy  
Commission  
(CEC)

NSF372



## MEM Single-lever mixer - Brushed Champagne (22kt Gold)

---

33 800 682 Product version from 3/1/2023

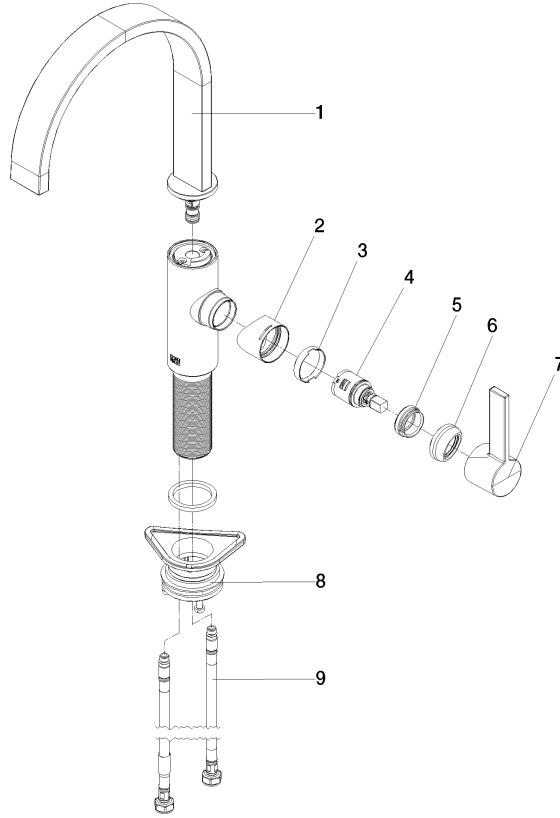
### Certificates

---

IAPMO\_6397

**MEM Single-lever mixer - Brushed Champagne (22kt Gold)**

33 800 682 Product version from 3/1/2023



**Spare parts list**

Number	Item Number	Designation	Number of units	Lead time
1	90 28 22 332 01-46	spout	1	-
Spare part can no longer be ordered, please order the replacement item				
2	09 19 86 012-46	cover	1	60
3	90 23 10 128 00 90	nut	1	2
4	90 15 05 042 00 90	cartridge	1	2
5	09 24 04 266 90	nut	1	2
6	90 28 30 052 00-46	cover	1	30
7	90 20 86 004 00-46	handle	1	30
8	04 23 10 044 08 90	fixing set	1	2
9	04 30 04 103 00 90	hose	2	2