

## ELIO Single-lever mixer - Platinum

---

33 800 790 Product version from 6/1/2022



- 9-1/4" Projection
- Swiveling spout 360°
- Spout with 20° pivoting tip
- Aerated stream
- Total height 13-1/4"
- Height to aerator/spout outlet 11-3/4"
- 1-3/8" hole diameter
- 2 x pressure hose with 3/8" compression fitting
- Water flow rate limited to max. 1.5 gpm
- lead-free
- This product can help a building meet the requirements of Green Building Rating Systems, e.g. LEED®, BREEAM®, DGNB

(ADA)

Combination with side spray set or profi side spray set not possible.

### Recommended article

---

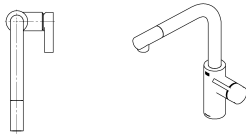
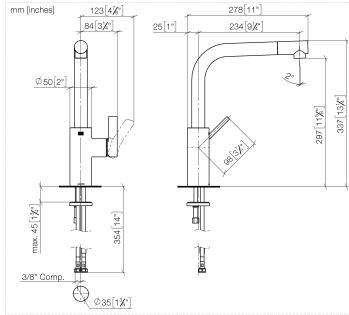
**AIR SWITCH operating button,  
trim parts only - Platinum** 10 713 970-08



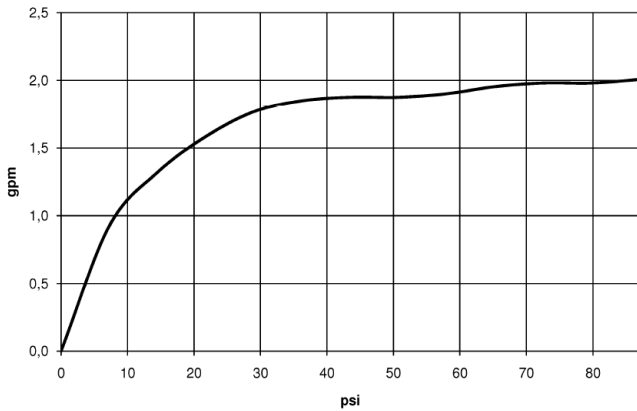


# ELIO Single-lever mixer - Platinum

33 800 790 Product version from 6/1/2022



## Flow rate chart



## Codes & Standards

ADA	ASME A112.18.1/CSA B125.1	California Energy Commission (CEC)	NSF/ANSI 372
NSF/ANSI/CAN 61	NSF372	NSF61	



## ELIO Single-lever mixer - Platinum

---

33 800 790 Product version from 6/1/2022

### Certificates

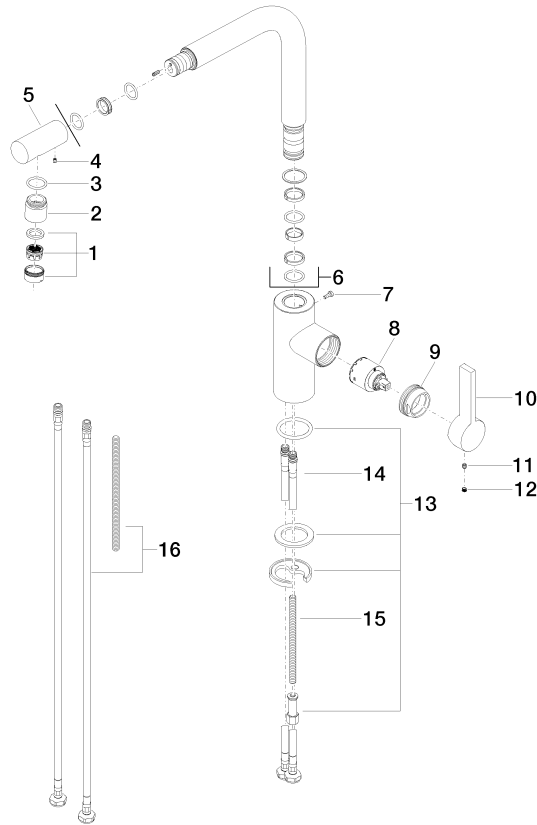
---

IAPMO\_N-4976

IAPMO\_6397

## ELIO Single-lever mixer - Platinum

33 800 790 Product version from 6/1/2022



### Spare parts list

Number	Item Number	Designation	Number of units	Lead time
1	90 23 01 026 08-08	aerator	1	40
2	09 24 04 164 10-08	nipple	1	40
3	09 14 10 100 90	seal	1	2
4	09 31 11 044 90	pin	1	2
5	09 24 04 163 10-08	nipple	1	60
6	90 28 22 185 00-08	spout	1	40
7	09 30 30 054 90	screw	1	2
8	90 15 05 045 00 90	cartridge	1	2
9	09 24 04 141-08	nut	1	40
10	09 20 79 040-08	handle	1	40
11	90 31 11 030 00 90	pin	1	2
12	90 31 20 109 00 90	plug	1	2
13	04 30 11 038 75 90	fixing set	1	2
14	04 30 04 106 00 90	hose	2	2
15	09 31 11 091 90	pin	1	2
16	12 803 970-90 0010	Extension set -	1	60