



# MEM BAR TAP Single-lever mixer - Platinum

33 805 682 Product version from 3/1/2023



- 6-1/2" Projection
- Swiveling spout 360°
- Optional restricted swivel available with swivel limiter set 12 820 970 90
- Aerated stream
- Total height 12-5/8"
- 8-1/2" height to aerator/spout outlet
- 1-3/8" hole diameter
- 2 x pressure hose with 3/8" compression fitting
- Water flow rate limited to max. 1.5 gpm
- lead-free
- This product can help a building meet the requirements of Green Building Rating Systems, e.g. LEED®, BREEAM®, DGNB

(ADA)

Combination with side spray set or profi side spray set not possible.

	Platinum	33 805 682-08 0010
	Chrome	33 805 682-00 0010
	Brushed Platinum	33 805 682-06 0010
	Durabrace (23kt Gold)	33 805 682-09 0010
	Dark Chrome	33 805 682-19 0010
	Brushed Durabrace (23kt Gold)	33 805 682-28 0010
	Matte Black	33 805 682-33 0010
	Brushed Champagne (22kt Gold)	33 805 682-46 0010
	Champagne (22kt Gold)	33 805 682-47 0010
	Brushed Chrome	33 805 682-93 0010
	Brushed Dark Platinum	33 805 682-99 0010

## Recommended article

**Swivel limiter set -**

12 820 970 90



## Recommended article

**AIR SWITCH operating button, trim parts only - Platinum**

10 713 970-08



## Recommended article

**Soap dispenser without flange - Platinum**

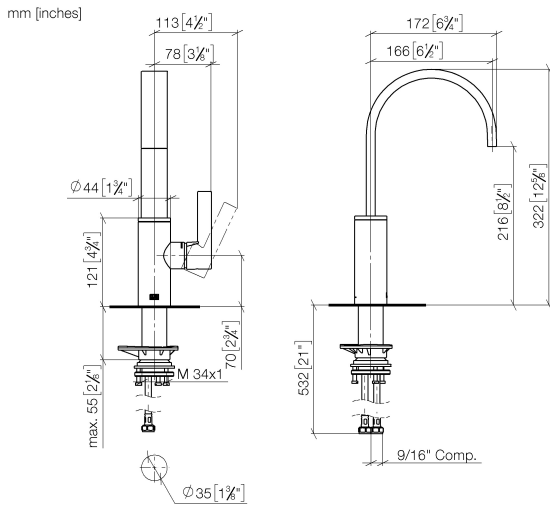
82 424 970-08



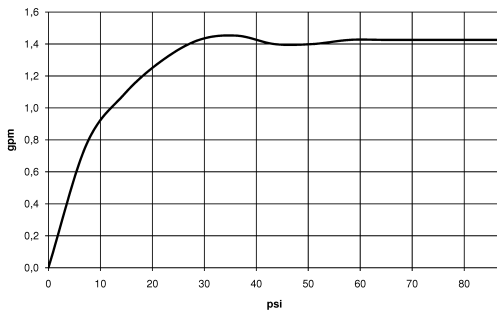


# MEM BAR TAP Single-lever mixer - Platinum

33 805 682 Product version from 3/1/2023



## Flow rate chart



## Codes & Standards

California Energy  
Commission  
(CEC)

NSF372



## MEM BAR TAP Single-lever mixer - Platinum

---

33 805 682 Product version from 3/1/2023

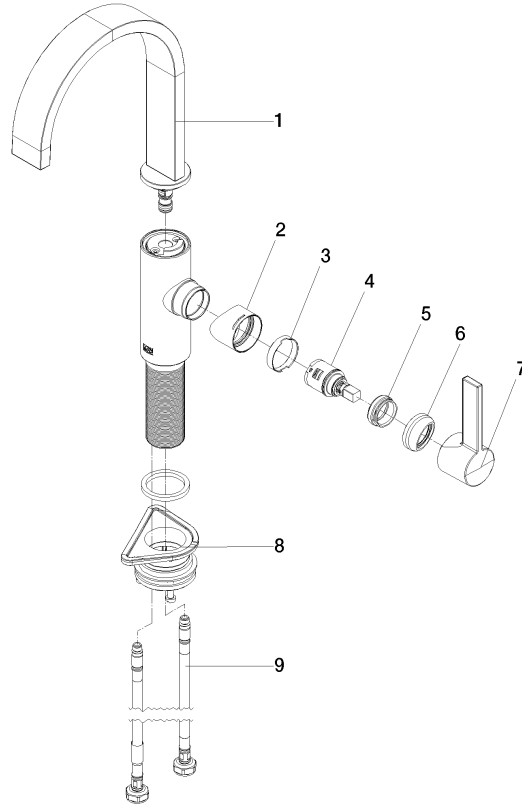
### Certificates

---

IAPMO\_6397

**MEM BAR TAP Single-lever mixer - Platinum**

33 805 682 Product version from 3/1/2023



**Spare parts list**

Number	Item Number	Designation	Number of units	Lead time
1	90 28 22 282 01-08	spout	1	-
Spare part can no longer be ordered, please order the replacement item				
2	09 19 86 012-08	cover	1	60
3	90 23 10 128 00 90	nut	1	2
4	90 15 05 042 00 90	cartridge	1	2
5	09 24 04 266 90	nut	1	2
6	90 28 30 052 00-08	cover	1	40
7	90 20 86 004 00-08	handle	1	40
8	04 23 10 044 08 90	fixing set	1	2
9	04 30 04 103 00 90	hose	2	2