



# VAIA Single-lever mixer For sprayer / professional sprayer - Brushed Durabross (23kt Gold)

33 810 809 Product version from 7/1/2023



- 8" Projection
- Swiveling spout 360°
- Aerated stream
- Water flow rate limited to max. 1.5 gpm
- lead-free
- This product can help a building meet the requirements of Green Building Rating Systems, e.g. LEED®, BREEAM®, DGNB

(ADA)

Single-lever mixer for use with rinsers and professional sprayers

	Brushed Durabross (23kt Gold)	33 810 809-28 0010
	Chrome	33 810 809-00 0010
	Brushed Platinum	33 810 809-06 0010
	Platinum	33 810 809-08 0010
	Durabross (23kt Gold)	33 810 809-09 0010
	Dark Chrome	33 810 809-19 0010
	Matte Black	33 810 809-33 0010
	Brushed Champagne (22kt Gold)	33 810 809-46 0010
	Champagne (22kt Gold)	33 810 809-47 0010
	Brushed Chrome	33 810 809-93 0010
	Brushed Dark Platinum	33 810 809-99 0010

## Recommended article



**VAIA Soap dispenser with flange - 82 434 809-28**  
**Brushed Durabross (23kt Gold)**

## Recommended article



**VAIA Side spray set - Brushed Durabross (23kt Gold)** 27 718 809-28

## Recommended article



**VAIA AIR SWITCH operating button, trim parts only - Brushed Durabross (23kt Gold)** 10 713 809-28



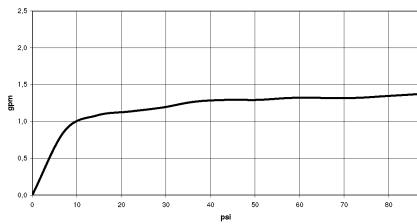
# VAIA Single-lever mixer For sprayer / professional sprayer - Brushed Durabross (23kt Gold)

---

33 810 809 Product version from 7/1/2023

## Flow rate chart

---



## Codes & Standards

---

California Energy  
Commission  
(CEC)

NSF372

NSF61



## VAIA Single-lever mixer For sprayer / professional sprayer - Brushed Durabross (23kt Gold)

---

33 810 809 Product version from 7/1/2023

### Certificates

---

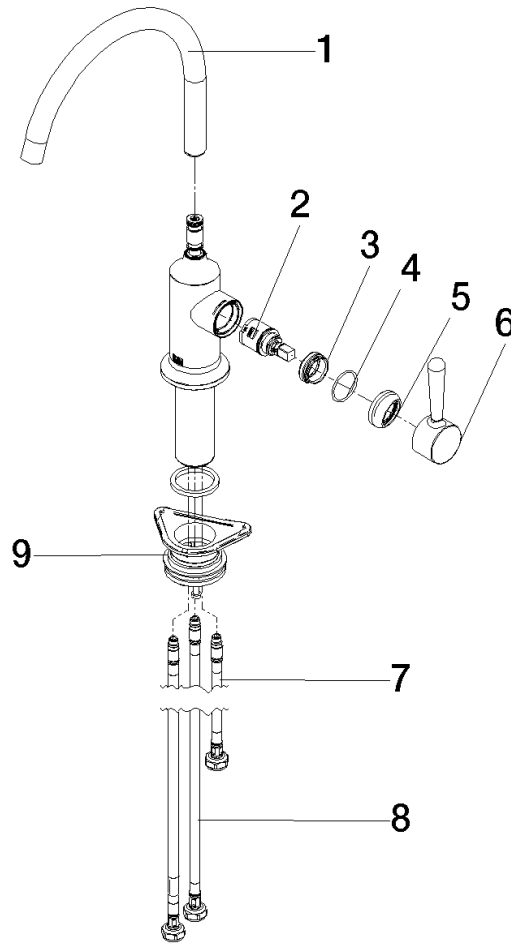
IAPMO\_N-4976

IAPMO\_6397

**VAIA Single-lever mixer For sprayer / professional sprayer - Brushed Durabross  
(23kt Gold)**

33 810 809 Product version from 7/1/2023

Parts for other finishes can be found here: [Chrome](#)



**Spare parts list**

Number	Item Number	Designation	Number of units	Lead time
1	90 28 22 313 00-28	spout	1	20
2	90 15 05 042 00 90	cartridge	1	2
3	09 24 04 266 90	nut	1	2
4	09 14 10 091 90	seal	1	2
5	90 28 30 052 00-28	cover	1	20
6	90 20 80 050 00-28	handle	1	-
Spare part can no longer be ordered, please order the replacement item				
7	04 30 04 100 00 90	hose	1	2
8	04 30 04 103 00 90	hose	2	2
9	04 23 10 044 08 90	fixing set	1	2