

VAIA Single-lever mixer For sprayer / professional sprayer - Brushed Bronze

33 810 809 Product version from 7/1/2023



- 8" Projection
- Swiveling spout 360°
- Aerated stream
- Water flow rate limited to max. 1.5 gpm
- lead-free
- This product can help a building meet the requirements of Green Building Rating Systems, e.g. LEED®, BREEAM®, DGNB

(ADA)

Single-lever mixer for use with rinsers and professional sprayers

	Brushed Bronze	33 810 809-42 0010
	Chrome	33 810 809-00 0010
	Brushed Platinum	33 810 809-06 0010
	Platinum	33 810 809-08 0010
	Durabronze (23kt Gold)	33 810 809-09 0010
	Dark Chrome	33 810 809-19 0010
	Brushed Durabronze (23kt Gold)	33 810 809-28 0010
	Matte Black	33 810 809-33 0010
	Brushed Champagne (22kt Gold)	33 810 809-46 0010
	Champagne (22kt Gold)	33 810 809-47 0010
	Brushed Chrome	33 810 809-93 0010
	Brushed Dark Platinum	33 810 809-99 0010

Recommended article



VAIA Side spray set - Brushed Bronze 27 718 809-42

Recommended article



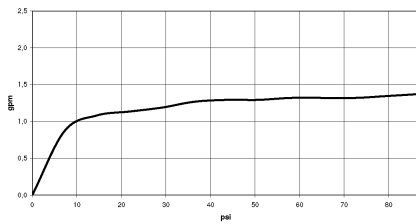
VAIA AIR SWITCH operating button, trim parts only - Brushed Bronze 10 713 809-42



VAIA Single-lever mixer For sprayer / professional sprayer - Brushed Bronze

33 810 809 Product version from 7/1/2023

Flow rate chart



Codes & Standards

ASME A112.18.1	California Energy Commission (CEC)	cUPC	NSF372
NSF61			



VAIA Single-lever mixer For sprayer / professional sprayer - Brushed Bronze

33 810 809 Product version from 7/1/2023

Certificates

IAPMO_N-4976

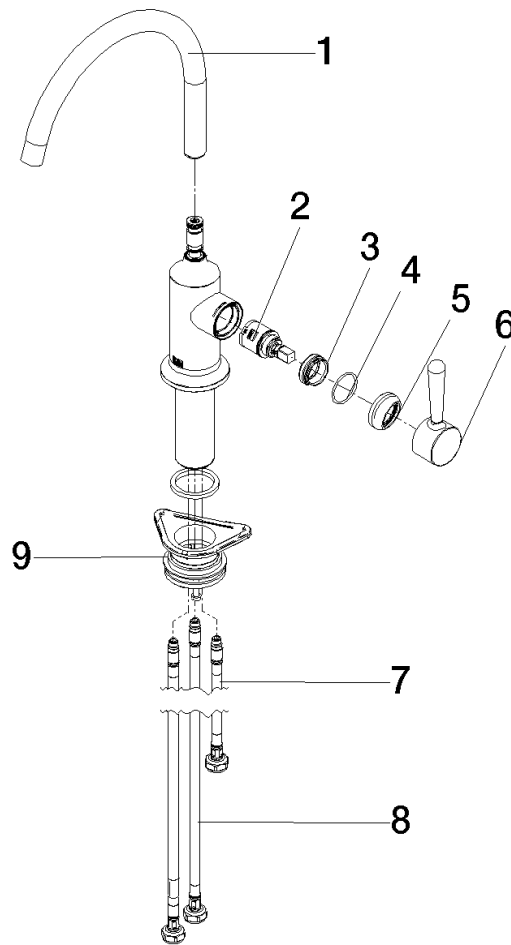
IAPMO_6397

IAPMO_4976 (

VAIA Single-lever mixer For sprayer / professional sprayer - Brushed Bronze

33 810 809 Product version from 7/1/2023

Parts for other finishes can be found here: [Chrome](#)



Spare parts list

Number	Item Number	Designation	Number of units	Lead time
1	90 28 22 313 00-42	spout	1	30
2	90 15 05 042 00 90	cartridge	1	2
3	09 24 04 266 90	nut	1	2
4	09 14 10 091 90	seal	1	2
5	90 28 30 052 00-42	cover	1	30
6	90 20 80 050 00-42	handle	1	30
7	04 30 04 100 00 90	hose	1	2
8	04 30 04 103 00 90	hose	2	2
9	04 23 10 044 08 90	fixing set	1	2