



MEM Single-lever mixer - Durabronss (23kt Gold)

33 815 682 Product version from 3/1/2023



- 9-1/2" Projection
- Swiveling spout 360°
- Optional restricted swivel available with swivel limiter set 12 820 970 90
- Aerated stream
- Total height 15"
- Height to aerator/spout outlet 9-1/2"
- 1-3/8" hole diameter
- 2 x pressure hose with 3/8" compression fitting
- Water flow rate limited to max. 1.5 gpm
- lead-free
- This product can help a building meet the requirements of Green Building Rating Systems, e.g. LEED®, BREEAM®, DGNB

(ADA)

Combination with side spray set or profi side spray set not possible.

| | | |
|--|--------------------------------|--------------------|
| | Durabronss (23kt Gold) | 33 815 682-09 0010 |
| | Chrome | 33 815 682-00 0010 |
| | Brushed Platinum | 33 815 682-06 0010 |
| | Platinum | 33 815 682-08 0010 |
| | Dark Chrome | 33 815 682-19 0010 |
| | Brushed Durabronss (23kt Gold) | 33 815 682-28 0010 |
| | Matte Black | 33 815 682-33 0010 |
| | Brushed Champagne (22kt Gold) | 33 815 682-46 0010 |
| | Champagne (22kt Gold) | 33 815 682-47 0010 |
| | Brushed Chrome | 33 815 682-93 0010 |
| | Brushed Dark Platinum | 33 815 682-99 0010 |

Recommended article

| | | |
|--|-----------------------------|---------------|
| | Swivel limiter set - | 12 820 970 90 |
|--|-----------------------------|---------------|

Recommended article

| | | |
|--|---|---------------|
| | Soap dispenser without flange - Durabronss (23kt Gold) | 82 424 970-09 |
|--|---|---------------|

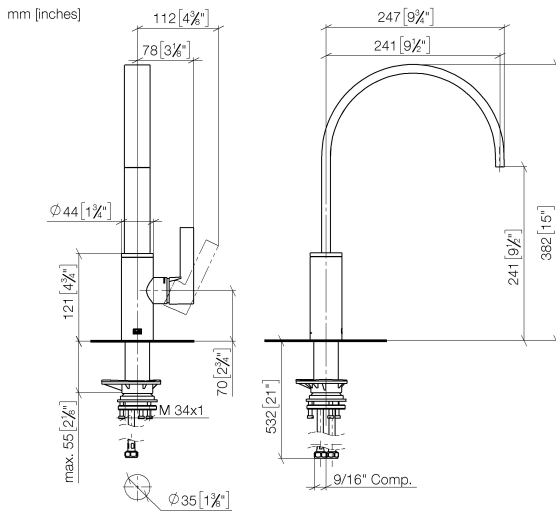
Recommended article

| | | |
|--|--|---------------|
| | AIR SWITCH operating button, trim parts only - Durabronss (23kt Gold) | 10 713 970-09 |
|--|--|---------------|

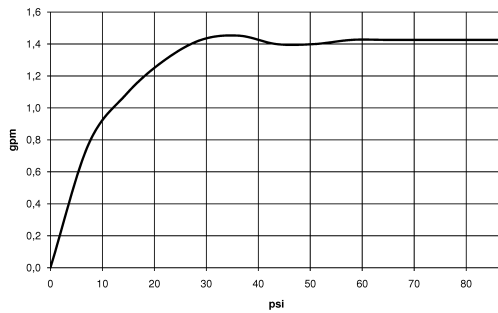


MEM Single-lever mixer - Durabross (23kt Gold)

33 815 682 Product version from 3/1/2023



Flow rate chart



Codes & Standards

California Energy
Commission
(CEC)

NSF372



MEM Single-lever mixer - Durabross (23kt Gold)

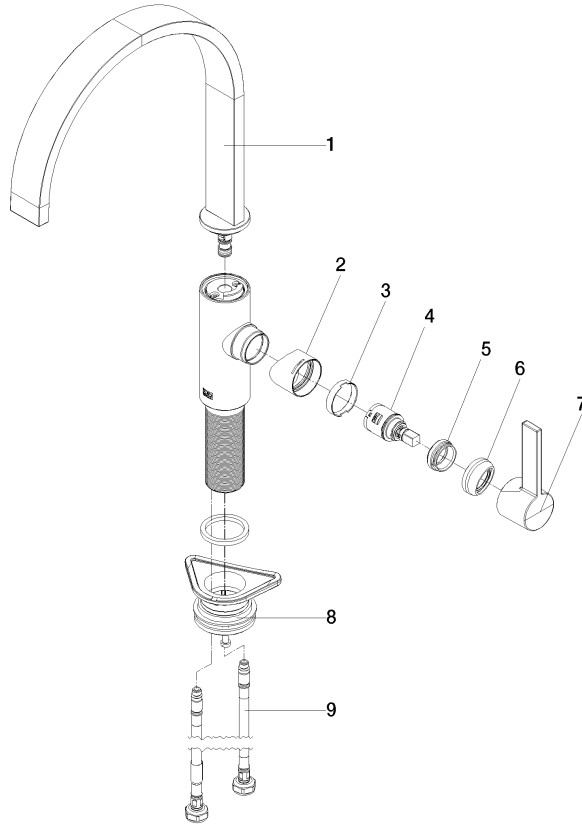
33 815 682 Product version from 3/1/2023

Certificates

IAPMO_6397

MEM Single-lever mixer - Durabronz (23kt Gold)

33 815 682 Product version from 3/1/2023



Spare parts list

| Number | Item Number | Designation | Number of units | Lead time |
|--|--------------------|-------------|-----------------|-----------|
| 1 | 90 28 22 333 01-09 | spout | 1 | - |
| Spare part can no longer be ordered, please order the replacement item | | | | |
| 2 | 09 19 86 012-09 | cover | 1 | 60 |
| 3 | 90 23 10 128 00 90 | nut | 1 | 2 |
| 4 | 90 15 05 042 00 90 | cartridge | 1 | 2 |
| 5 | 09 24 04 266 90 | nut | 1 | 2 |
| 6 | 90 28 30 052 00-09 | cover | 1 | 40 |
| 7 | 90 20 86 004 00-09 | handle | 1 | - |
| Spare part can no longer be ordered, please order the replacement item | | | | |
| 8 | 04 23 10 044 08 90 | fixing set | 1 | 2 |
| 9 | 04 30 04 103 00 90 | hose | 2 | 2 |