



## TARA ULTRA Profi single-lever mixer - Brushed Dark Platinum

33 860 875



- 9-1/2" Projection
- Swiveling 360°
- Aerated stream and spray mode
- Total height 27"
- Height to aerator/spout outlet 5-1/8"
- 1-3/8" hole diameter
- 2 x pressure hose with 3/8" compression fitting
- Sprayface with descaling system
- Water flow rate limited to max. 1.5 gpm
- lead-free
- This product can help a building meet the requirements of Green Building Rating Systems, e.g. LEED®, BREEAM®, DGNB

(ADA)

Internal backflow preventer.

Switch back and forth between aerator and spray mode while water is running.

	Brushed Dark Platinum	33 860 875-99 0010
	Chrome	33 860 875-00 0010
	Brushed Platinum	33 860 875-06 0010
	Platinum	33 860 875-08 0010
	Dark Chrome	33 860 875-19 0010
	Brushed Bronze	33 860 875-42 0010
	Brushed Chrome	33 860 875-93 0010

### Recommended article



**AIR SWITCH operating button, trim parts only - Brushed Dark Platinum**

10 713 970-99

### Recommended article



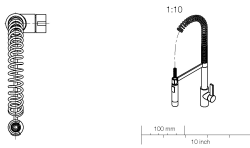
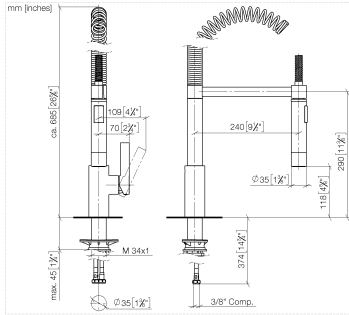
**Soap dispenser without flange - Brushed Dark Platinum**

82 424 970-99



# TARA ULTRA Profi single-lever mixer - Brushed Dark Platinum

33 860 875



## Flow rate chart



## Codes & Standards

ADA

ASME  
A112.18.1/CSA  
B125.1

California Energy  
Commission  
(CEC)

NSF/ANSI 372

NSF/ANSI/CAN  
61

NSF372

NSF61



## TARA ULTRA Profi single-lever mixer - Brushed Dark Platinum

---

33 860 875

### Certificates

---

IAPMO\_N-4976

IAPMO\_6397

**TARA ULTRA Profi single-lever mixer - Brushed Dark Platinum**

33 860 875

Parts for other finishes can be found here: [Chrome](#)

