

VAIA Single-lever mixer pull-down with spray function - Dark Chrome

33 870 809 Product version from 7/1/2023



- 9-1/2" Projection
- Swiveling spout 360°
- Optional restricted swivel available with swivel limiter set 12 823 970 90
- Aerated stream and spray mode
- Total height 16-3/8"
- 9" height to aerator/spout outlet
- 1-3/8" hole diameter
- 2 x pressure hose with 3/8" compression fitting
- 59" metal shower hose
- Sprayface with descaling system
- Water flow rate limited to max. 1.5 gpm
- lead-free
- Spray types can be changed while the water is running
- This product can help a building meet the requirements of Green Building Rating Systems, e.g. LEED®, BREEAM®, DGNB

(ADA)

Internal backflow preventer.

Switch back and forth between aerator and spray mode while water is running.

| | | |
|---|--------------------------------|--------------------|
|  | Dark Chrome | 33 870 809-19 0010 |
|  | Chrome | 33 870 809-00 0010 |
|  | Brushed Platinum | 33 870 809-06 0010 |
|  | Platinum | 33 870 809-08 0010 |
|  | Durabronze (23kt Gold) | 33 870 809-09 0010 |
|  | Brushed Durabronze (23kt Gold) | 33 870 809-28 0010 |
|  | Matte Black | 33 870 809-33 0010 |
|  | Brushed Bronze | 33 870 809-42 0010 |
|  | Brushed Champagne (22kt Gold) | 33 870 809-46 0010 |
|  | Champagne (22kt Gold) | 33 870 809-47 0010 |
|  | Brushed Chrome | 33 870 809-93 0010 |
|  | Brushed Dark Platinum | 33 870 809-99 0010 |

Recommended article



Swivel limiter set -

12 823 970 90

Recommended article



VAIA AIR SWITCH operating button, trim parts only - Dark Chrome

10 713 809-19

Recommended article



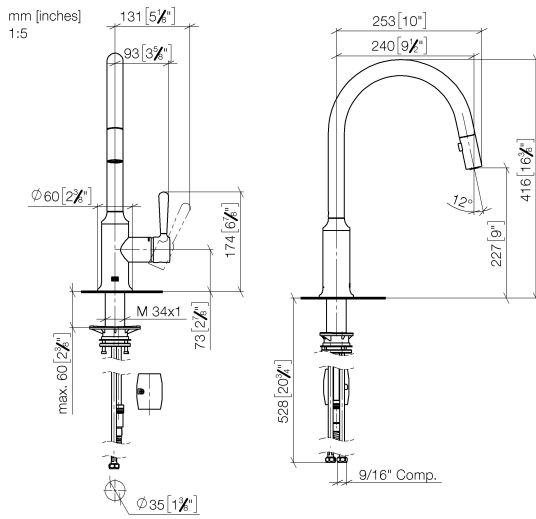
VAIA Soap dispenser with flange - Dark Chrome

82 434 809-19

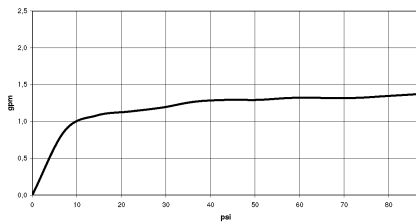


VAIA Single-lever mixer pull-down with spray function - Dark Chrome

33 870 809 Product version from 7/1/2023



Flow rate chart



Codes & Standards

ASME A112.18.1

California Energy
Commission
(CEC)

cUPC

NSF372

NSF61



VAIA Single-lever mixer pull-down with spray function - Dark Chrome

33 870 809 Product version from 7/1/2023

Certificates

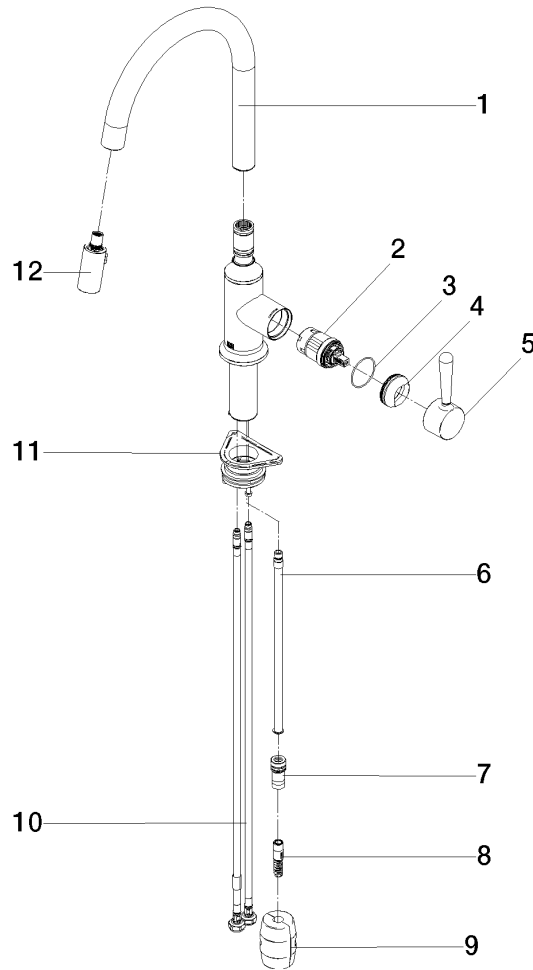
IAPMO_N-4976

IAPMO_6397

IAPMO_4976 (

VAIA Single-lever mixer pull-down with spray function - Dark Chrome

33 870 809 Product version from 7/1/2023



Spare parts list

| Number | Item Number | Designation | Number of units | Lead time |
|--------|--------------------|-------------|-----------------|-----------|
| 1 | 90 28 22 397 00-19 | spout | 1 | 20 |
| 2 | 90 15 05 064 05 90 | cartridge | 1 | 2 |
| 3 | 09 14 10 190 90 | seal | 1 | 2 |
| 4 | 09 28 30 030-19 | cover | 1 | 60 |
| 5 | 90 20 80 052 00-19 | handle | 1 | 20 |
| 6 | 04 28 20 067 00 90 | pipe | 1 | 2 |
| 7 | 90 24 03 253 01 90 | adaptor | 1 | 2 |
| 8 | 04 30 02 120 00-85 | hose | 1 | 10 |
| 9 | 04 21 50 010 00 90 | accessories | 1 | 2 |
| 10 | 04 30 04 103 00 90 | hose | 2 | 2 |
| 11 | 04 30 11 040 00 90 | fixing set | 1 | 2 |
| 12 | 90 18 40 317 00-19 | shower | 1 | 20 |