





DORNBRACHT PIUR Single-lever mixer with pull-out spout - Chrome

33 950 210



- 8" Projection
- Swiveling spout 360°
- Aerated stream
- Water flow rate limited to max. 1.3 gpm
- lead-free
- Fabric braided spray hose 59"

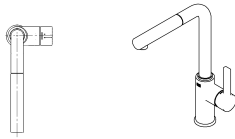
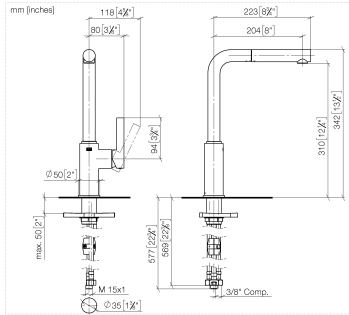
Internal backflow preventer.

	Chrome	33 950 210-00 0010
	Soft Black	33 950 210-69 0010
	Brushed Nickel	33 950 210-70 0010

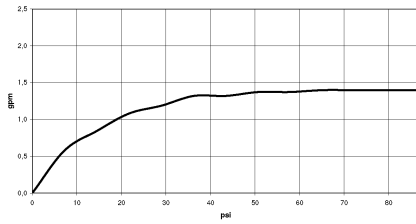


DORNBRACHT PIUR Single-lever mixer with pull-out spout - Chrome

33 950 210



Flow rate chart



Codes & Standards

California Energy
Commission
(CEC)

NSF372

NSF61



DORNBACHT PIUR Single-lever mixer with pull-out spout - Chrome

33 950 210

Certificates

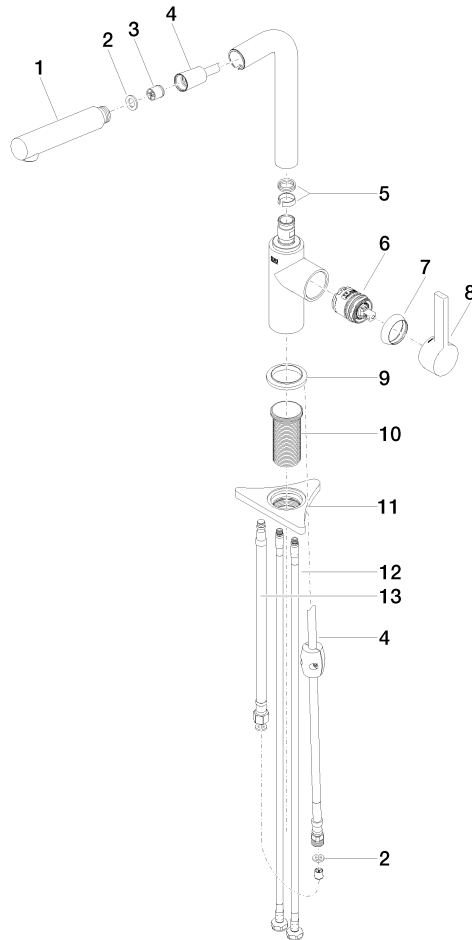
IAPMO_N-4976

IAPMO_6397

DORNBRACHT PIUR Single-lever mixer with pull-out spout - Chrome

33 950 210

Parts for other finishes can be found here: [Soft Black](#)



Spare parts list

Number	Item Number	Designation	Number of units	Lead time
1	90 12 11 180 01-00	shower	1	2
2	90 14 05 081 00 90	seal	1	2
3	90 23 01 051 01 90	flow reducer	1	2
4	90 30 02 101 00 90	hose	1	2
5	90 14 15 060 00 90	gasket kit	1	2
6	90 15 05 060 00 90	cartridge	1	2
7	90 28 30 011 00-00	cover	1	2
8	90 20 21 001 00-00	handle	1	2
9	90 27 21 001 00-00	rosette	1	2
10	90 30 01 200 00 90	shaft	1	2
11	90 23 10 003 00 90	fixing set	1	2
12	04 30 04 103 00 90	hose	2	2
13	90 30 04 110 00 90	hose	1	2