

Shower thermostat for wall-mounted installation - Matte White

34 442 979 Product version from 10/1/2023



- 3/8" Shower outlet
- Flanges Ø 2-3/4"
- 1/2" connection
- Center to center 5-7/8" ± 1/2"
- with volume control

Internal backflow preventer.

For combination with slide bar set

Internal backflow preventer.

For combination with slide bar set

	Matte White	34 442 979-10
	Chrome	34 442 979-00
	Brushed Platinum	34 442 979-06
	Platinum	34 442 979-08
	Dark Chrome	34 442 979-19
	Light gold	34 442 979-26
	Brushed Light Gold	34 442 979-27
	Brushed Durabronze (23kt Gold)	34 442 979-28
	Matte Black	34 442 979-33
	Brushed Bronze	34 442 979-42
	Brushed Champagne (22kt Gold)	34 442 979-46
	Champagne (22kt Gold)	34 442 979-47
	Brushed Chrome	34 442 979-93
	Brushed Dark Platinum	34 442 979-99

Required article



Rough-in adapter -

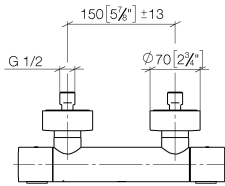
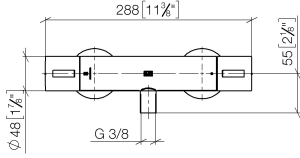
- Please order 2 adapters

35 080 970-90
0010

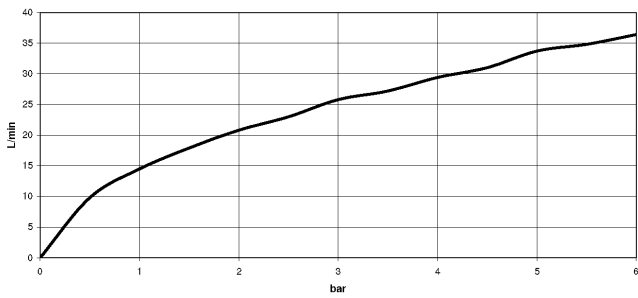
Shower thermostat for wall-mounted installation - Matte White

34 442 979 Product version from 10/1/2023

mm [inches]



Flow rate chart



Codes & Standards

DIN 4109

EN 1111

EN 1717

ISO 3822

Scottish Water
Byelaws

UK Water Supply
Regulations

Ü-Zeichen



Shower thermostat for wall-mounted installation - Matte White

34 442 979 Product version from 10/1/2023

Certificates

DVGW_DW-
6509DN0

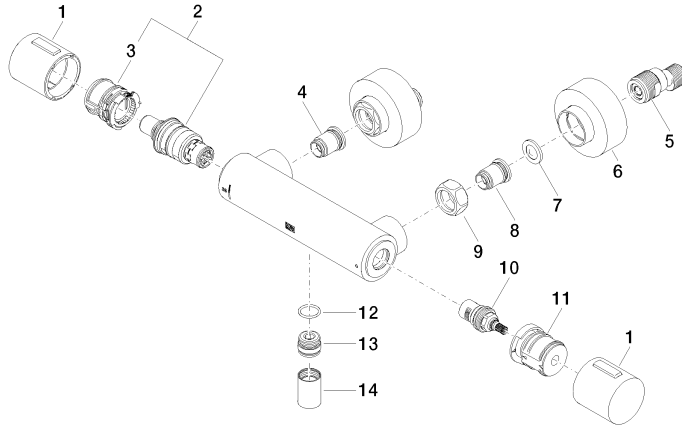
LGA_29

WRAS_2204

Belgaqua_21-032-2

Shower thermostat for wall-mounted installation - Matte White

34 442 979 Product version from 10/1/2023



Spare parts list

Number	Item Number	Designation	Number of units	Lead time
1	90 17 33 015 00-10	handle	2	60
2	90 15 02 070 00 90	cartridge	1	2
3	90 30 40 010 00 90	regulator	1	2
4	04 31 20 530 00 90	insert	1	2
5	04 11 04 030 00 90	connection	2	2
6	90 31 20 512 00-10	rosette	2	60
7	09 29 30 050 90	sieve	2	2
8	04 31 20 540 00 90	insert	1	2
9	09 24 77 008-00	nut	2	10
10	90 90 03 236 00 90	top	1	2
11	90 30 40 017 00 90	base	1	2
12	90 14 10 010 00 90	seal	1	2
13	09 31 20 511-10	nipple	1	60
14	90 21 02 069 00-10	cover	1	60