



## Shower thermostat For wall mounting - Brushed Platinum

34 443 979 Product version from 5/1/2022



- 3/8" Shower outlet
- Flanges Ø 2-3/4"
- 1/2" connection
- Center to center 5-7/8" ± 1/2"
- with volume control

**Internal backflow preventer.**

**Can be combined with hand shower sets and slide bar sets.**

Internal backflow preventer.

Can be combined with hand shower sets and slide bar sets.

	Brushed Platinum	34 443 979-06
	Chrome	34 443 979-00
	Platinum	34 443 979-08
	Dark Chrome	34 443 979-19
	Brushed Durabronze (23kt Gold)	34 443 979-28
	Matte Black	34 443 979-33
	Brushed Champagne (22kt Gold)	34 443 979-46
	Champagne (22kt Gold)	34 443 979-47
	Brushed Chrome	34 443 979-93
	Brushed Dark Platinum	34 443 979-99

### Required article



**Rough-in adapter -**

- Please order 2 adapters

35 080 970-90  
0010

### Required article



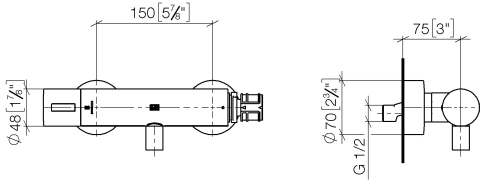
**TARA Volume control handle -  
Brushed Platinum**

11 431 892-06

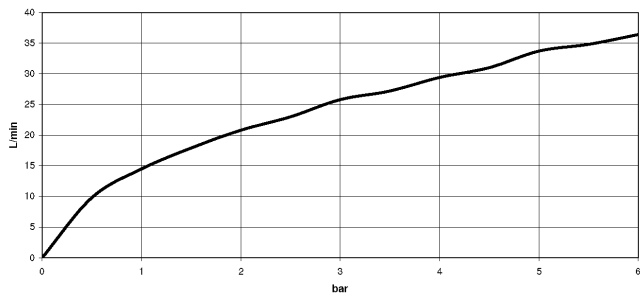
## Shower thermostat For wall mounting - Brushed Platinum

34 443 979 Product version from 5/1/2022

mm [inches]



### Flow rate chart



### Codes & Standards

DIN 4109

EN 1717

ISO 3822

Scottish Water  
Byelaws

UK Water Supply  
Regulations

Ü-Zeichen



## Shower thermostat For wall mounting - Brushed Platinum

---

34 443 979 Product version from 5/1/2022

### Certificates

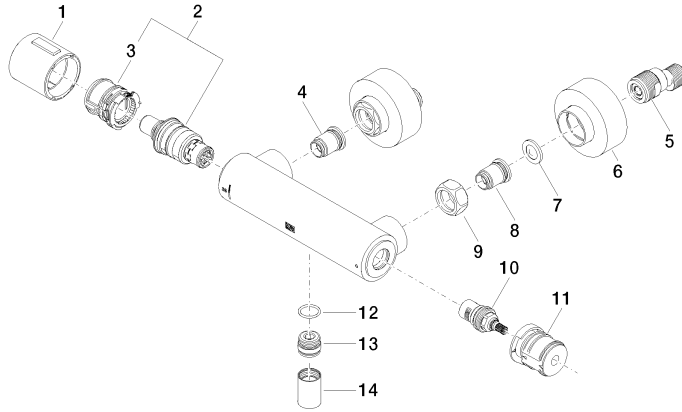
---

Belgaqua\_22\_281\_2 LGA\_29

WRAS\_2204

## Shower thermostat For wall mounting - Brushed Platinum

34 443 979 Product version from 5/1/2022



### Spare parts list

Number	Item Number	Designation	Number of units	Lead time
1	90 17 33 015 00-06	handle	1	10
2	90 15 02 070 00 90	cartridge	1	2
3	90 30 40 010 00 90	regulator	1	2
4	04 31 20 530 00 90	insert	1	2
5	04 11 04 030 00 90	connection	2	2
6	90 31 20 512 00-06	rosette	2	10
7	09 29 30 050 90	sieve	2	2
8	04 31 20 540 00 90	insert	1	2
9	09 24 77 008-00	nut	2	10
10	90 90 03 236 00 90	top	1	2
11	90 30 40 017 00 90	base	1	2
12	90 14 10 010 00 90	seal	1	2
13	09 31 20 511-06	nipple	1	60
14	90 21 02 069 00-06	cover	1	10