

## Exposed shower set with shower thermostat without hand shower 8-5/8" - Chrome

34 459 892 Product version from 9/10/2020




- Projection 17-3/4"
- Rainshower
- Rain shower diameter 8-5/8"
- Rain shower with descaling system
- Rain shower water flow rate limited to max. 1.8 gpm (at 3 bar)
- Diverter with integrated volume control
- Flanges Ø 2-3/4"
- Height from center of faucet to bottom of rainhead 37-7/8"
- Height from center of faucet to top of shower arm 49-7/8"
- Center to center 5-7/8" ± 1/2"
- Metal shower hose 68-7/8" with anti-twist device
- 1/2" connection
- Slide bar
- Pipe diameter 7/8"
- with drip prevention
- This product reduces water consumption by 28% (compared to requirements of EPA Act '92)
- This product contributes to meeting the requirements of the LEED® Green Building Rating

**NOTE: Hand shower sold separately. Please see hand shower options under the miscellaneous articles section of each series.**


Internal backflow preventer.

NOTE: Hand shower sold separately. Please see hand shower options under the miscellaneous articles section of each series.

### Required article

	<b>Rough-in adapter -</b> •Please order 2 adapters	35 080 970-00 0010
---	---	-----------------------


### Required article

	<b>Hand shower FlowReduce - Chrome</b>	28 016 979-00 0010
---	--	-----------------------

### Required article

	<b>Hand shower FlowReduce - Chrome</b>	28 012 979-00 0010
---	--	-----------------------

### Required article

	<b>Hand shower FlowReduce - Chrome</b>	28 018 979-00 0010
---	--	-----------------------

### Required article

	<b>SERIES-VARIOUS Hand shower FlowReduce - Chrome</b>	28 027 979-00 0010
---	---	-----------------------

### Required article

	<b>SERIES-VARIOUS Hand shower FlowReduce - Chrome</b>	28 029 979-00 0010
---	---	-----------------------

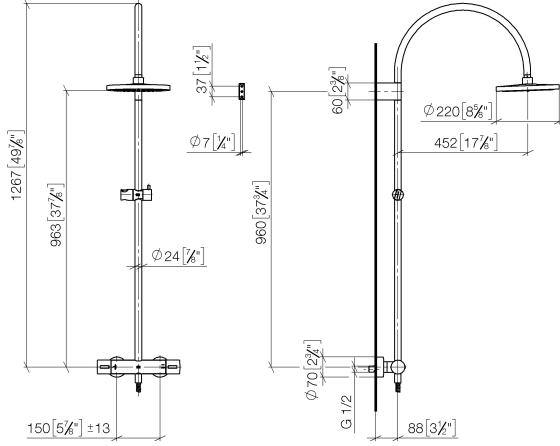
### Required article

	<b>SERIES-VARIOUS Hand shower FlowReduce - Chrome</b>	28 025 979-00 0010
---	---	-----------------------

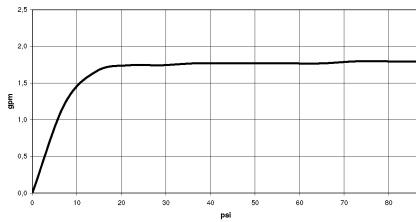


## Exposed shower set with shower thermostat without hand shower 8-5/8" - Chrome

34 459 892 Product version from 9/10/2020  
mm [inches]  
M 1:10



### Flow rate chart



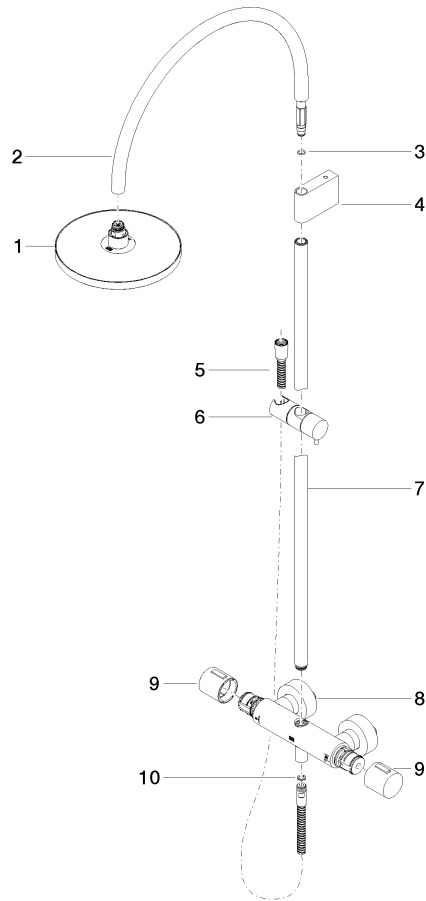
### Codes & Standards

ASME  
A112.18.1/CSA  
B125.1

California Energy  
Commission  
(CEC)

**Exposed shower set with shower thermostat without hand shower 8-5/8" - Chrome**

34 459 892 Product version from 9/10/2020



**Spare parts list**

Number	Item Number	Designation	Number of units	Lead time
1	04 12 05 092 10-00	shower	1	10
2	04 28 22 346 00-00	pipe	1	10
3	09 14 10 008 90	seal	1	2
4	90 17 11 150 00-00	holder	1	10
5	28 322 970-00	Metal shower hose 1/2" x 3/8" x 68-7/8" - Chrome	1	2
6	12 570 970-00	Slider - Chrome	1	10
7	90 28 22 349 00-00	pipe	1	10
8	04 17 01 250 00-00	connection	1	10
9	90 17 33 015 00-00	handle	2	10
10	90 14 20 026 00 90	seal	1	2