

Exposed shower set with shower thermostat without hand shower - Brushed Platinum

34 459 979 Product version from 7/1/2023



- Projection 17-7/8"
- Rainshower
- Rain shower with descaling system
- Rain shower diameter 8-5/8"
- Rain shower water flow rate limited to max. 1.8 gpm (at 3 bar)
- Diverter with integrated volume control
- Height from center of faucet to top of shower arm 45-1/4"
- Flanges Ø 2-3/4"
- Height from center of faucet to bottom of rainhead 39-3/4"
- Center to center 5-7/8" ± 1/2"
- Metal shower hose 68-7/8" with anti-twist device
- 1/2" connection
- Slide bar
- Pipe diameter 7/8"
- with drip prevention
- This product reduces water consumption by 28% (compared to requirements of EAct '92)
- This product contributes to meeting the requirements of the LEED® Green Building Rating

Internal backflow preventer.
NOTE: Hand shower sold separately. Please see hand shower options under the miscellaneous articles section of each series.

Internal backflow preventer.

NOTE: Hand shower sold separately. Please see hand shower options under the miscellaneous articles section of each series.

| | | |
|--|--------------------------------|--------------------|
| | Brushed Platinum | 34 459 979-06 0010 |
| | Chrome | 34 459 979-00 0010 |
| | Platinum | 34 459 979-08 0010 |
| | Dark Chrome | 34 459 979-19 0010 |
| | Light gold | 34 459 979-26 0010 |
| | Brushed Light Gold | 34 459 979-27 0010 |
| | Brushed Durabronze (23kt Gold) | 34 459 979-28 0010 |
| | Matte Black | 34 459 979-33 0010 |
| | Brushed Bronze | 34 459 979-42 0010 |
| | Brushed Champagne (22kt Gold) | 34 459 979-46 0010 |
| | Champagne (22kt Gold) | 34 459 979-47 0010 |
| | Brushed Chrome | 34 459 979-93 0010 |
| | Brushed Dark Platinum | 34 459 979-99 0010 |

Required article

| | | |
|--|---|--------------------|
| | Rough-in adapter - •Please order 2 adapters | 35 080 970-90 0010 |
|--|---|--------------------|

Required article

| | | |
|--|--|--------------------|
| | Hand shower FlowReduce - Brushed Platinum | 28 012 979-06 0010 |
|--|--|--------------------|

Required article

| | | |
|--|---|--------------------|
| | SERIES-VARIOUS Hand shower FlowReduce - Brushed Platinum | 28 029 979-06 0010 |
|--|---|--------------------|

Required article

| | | |
|--|---|--------------------|
| | SERIES-VARIOUS Hand shower FlowReduce - Brushed Platinum | 28 025 979-06 0010 |
|--|---|--------------------|

Required article

| | | |
|--|--|--------------------|
| | Hand shower FlowReduce - Brushed Platinum | 28 016 979-06 0010 |
|--|--|--------------------|

Required article

| | | |
|--|--|--------------------|
| | Hand shower FlowReduce - Brushed Platinum | 28 018 979-06 0010 |
|--|--|--------------------|

Required article

| | | |
|--|---|--------------------|
| | SERIES-VARIOUS Hand shower FlowReduce - Brushed Platinum | 28 027 979-06 0010 |
|--|---|--------------------|

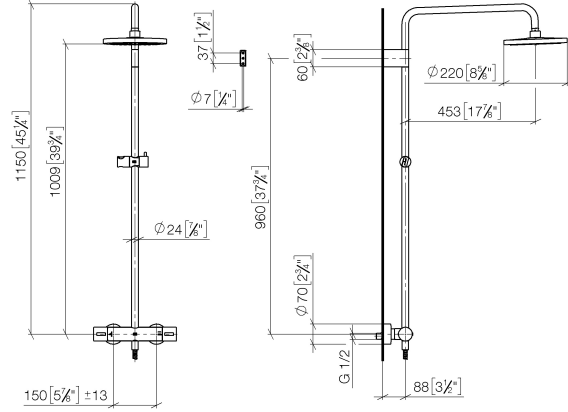


Exposed shower set with shower thermostat without hand shower - Brushed Platinum

34 459 979 Product version from 7/1/2023

mm [inches]

1:10



Flow rate chart



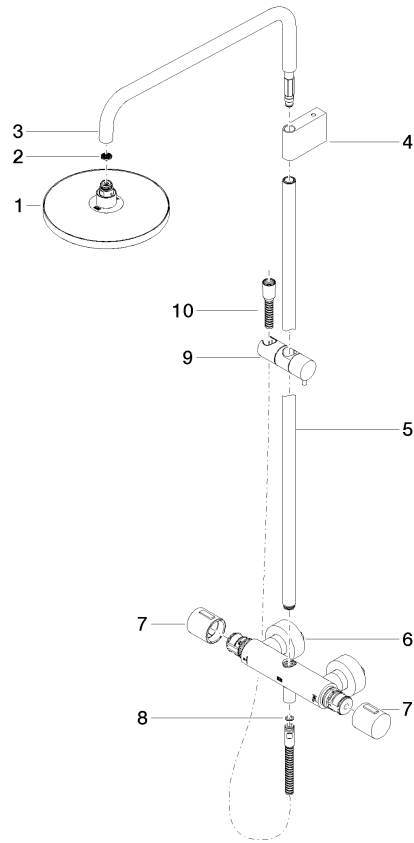
Codes & Standards

ASME
A112.18.1/CSA
B125.1

California Energy
Commission
(CEC)

**Exposed shower set with shower thermostat without hand shower - Brushed
Platinum**

34 459 979 Product version from 7/1/2023



Spare parts list

| Number | Item Number | Designation | Number of units | Lead time |
|--------|--------------------|--|-----------------|-----------|
| 1 | 04 12 05 092 10-06 | shower | 1 | 10 |
| 2 | 09 23 01 039 90 | sieve | 1 | 2 |
| 3 | 90 28 22 348 00-06 | pipe | 1 | 10 |
| 4 | 90 17 11 150 00-06 | holder | 1 | 10 |
| 5 | 90 28 22 349 00-06 | pipe | 1 | 10 |
| 6 | 04 17 01 250 00-06 | connection | 1 | 10 |
| 7 | 90 17 33 015 00-06 | handle | 2 | 10 |
| 8 | 90 14 20 026 00 90 | seal | 1 | 2 |
| 9 | 12 570 970-06 | Slider - Brushed Platinum | 1 | 10 |
| 10 | 28 322 970-06 | Metal shower hose 1/2" x 3/8" x 68-7/8" - Brushed Platinum | 1 | 2 |