

TARA Exposed Shower Set 11-3/4" - Dark Chrome

34 460 892 Product version from 4/1/2024



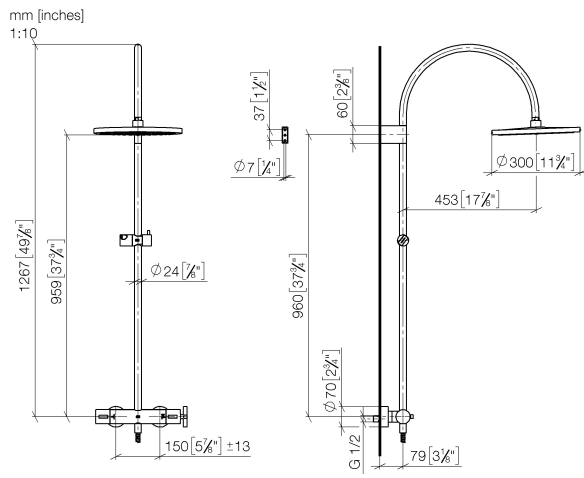
- Projection 17-3/4"
- Rainshower
- Rain shower diameter 11-3/4"
- Rain shower with descaling system
- Rain shower water flow rate limited to max. 1.8 gpm (at 3 bar)
- Function from: 1.7 gpm
- Diverter with integrated volume control
- Flanges Ø 2-3/4"
- Height from center of faucet to bottom of rainhead 38"
- Height from center of faucet to top of shower arm 49-7/8"
- Center to center 5-7/8" ± 1/2"
- Metal shower hose 68-7/8" with anti-twist device
- 1/2" connection
- Slide bar
- Pipe diameter 7/8"

This article does not include a hand shower!

Internal backflow preventer.

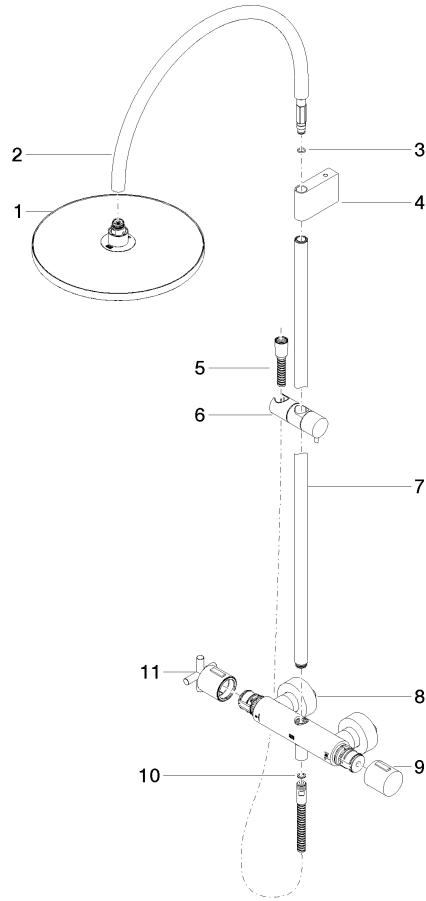
TARA Exposed Shower Set 11-3/4" - Dark Chrome

34 460 892 Product version from 4/1/2024



TARA Exposed Shower Set 11-3/4" - Dark Chrome

34 460 892 Product version from 4/1/2024



Spare parts list

Number	Item Number	Designation	Number of units	Lead time
1	04 12 05 091 10-19	shower	1	20
2	04 28 22 346 00-19	pipe	1	20
3	09 14 10 008 90	seal	1	2
4	90 17 11 150 00-19	holder	1	20
5	28 322 970-19	Metal shower hose 1/2" x 3/8" x 68-7/8" - Dark Chrome	1	20
6	12 570 970-19	Slider - Dark Chrome	1	20
7	90 28 22 349 00-19	pipe	1	20
8	04 17 01 250 00-19	connection	1	20
9	90 17 33 015 00-19	handle	1	20
10	90 14 20 026 00 90	seal	1	2
11	90 17 33 021 00-19	handle	1	20